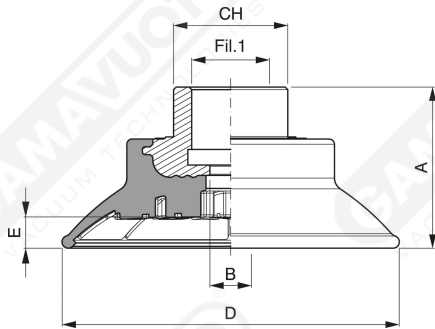
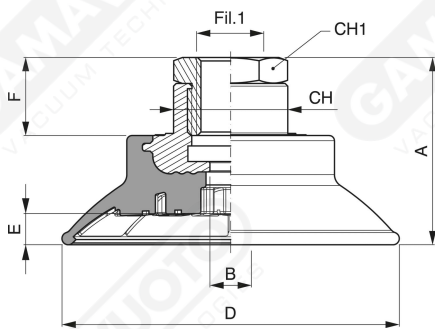


Kugelförmige Elastobrake Saugnapfe



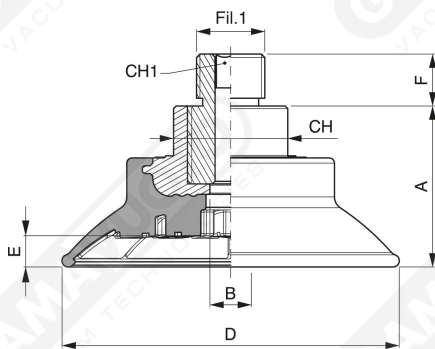
Art. VTSA 35 ÷ 135

Art.	A	B	Fil.1	D	E	CH
VTSA 35	20	6	1/4"	35	3	17
VTSA 45	22	6	1/4"	45	4	17
VTSA 55	28	8	3/8"	55	5	22
VTSA 65	31	8	3/8"	65	6	22
VTSA 85	35	8	3/8"	85	7.6	22
VTSA 105	36	8	3/8"	105	10	22
VTSA 135	43	10	3/8"	135	12.3	22



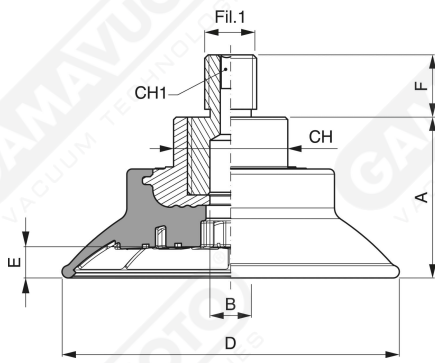
Art. VTSB 35 ÷ 135

Art.	A	B	Fil.1	D	E	F	CH	CH1
VTSB 35	36	6	3/8"	35	3	9	17	22
VTSB 45	38	6	3/8"	45	4	9	17	22
VTSB 55	33	8	1/4"	55	5	15	22	19
VTSB 65	36	8	1/4"	65	6	15	22	19
VTSB 85	40	8	1/4"	85	7.6	15	22	19
VTSB 105	41	8	1/4"	105	10	15	22	19
VTSB 135	48	10	1/4"	135	12.3	15	22	19



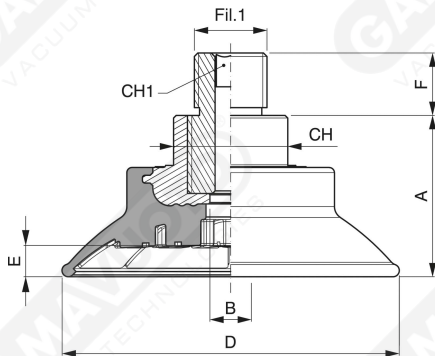
Art. VTSC 35 ÷ 135

Art.	A	B	Fil.1	D	E	F	CH	CH1
VTSC 35	20	6	1/4"	35	3	10	17	6
VTSC 45	22	6	1/4"	45	4	10	17	6
VTSC 55	28	8	1/4"	55	5	10	22	6
VTSC 65	31	8	1/4"	65	6	10	22	6
VTSC 85	35	8	1/4"	85	7.6	10	22	6
VTSC 105	36	8	1/4"	105	10	10	22	6
VTSC 135	43	10	1/4"	135	12.3	10	22	6



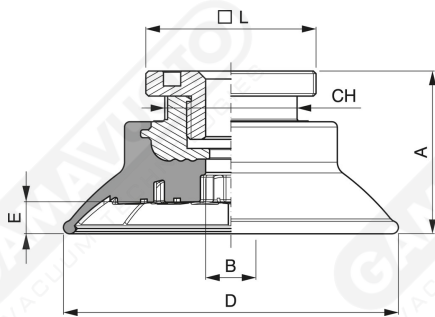
Art.	A	B	Fil.1	D	E	F	CH	CH1
VTSD 35	20	6	M10	35	3	12	17	4
VTSD 45	22	6	M10	45	4	12	17	4
VTSD 55	28	8	M10	55	5	12	22	4
VTSD 65	31	8	M10	65	6	12	22	4
VTSD 85	35	8	M10	85	7.6	12	22	4
VTSD 105	36	8	M10	105	10	12	22	4
VTSD 135	43	10	M10	135	12.3	12	22	4

Art. VTSD 35 ÷ 135



Art.	A	B	Fil.1	D	E	F	CH	CH1
VTSE 35	20	6	M14x1.5	35	3	12	17	6
VTSE 45	22	6	M14x1.5	45	4	12	17	6
VTSE 55	28	8	M14x1.5	55	5	12	22	6
VTSE 65	31	8	M14x1.5	65	6	12	22	6
VTSE 85	35	8	M14x1.5	85	7.6	12	22	6
VTSE 105	36	8	M14x1.5	105	10	12	22	6
VTSE 135	43	10	M14x1.5	135	12.3	12	22	6

Art. VTSE 35 ÷ 135



Art.	A	B	D	E	L	CH
VTSF 35	23.2	6	35	3	32	17
VTSF 45	28	6	45	4	32	17
VTSF 55	27.5	8	55	5	32	22
VTSF 65	30.5	8	65	6	32	22
VTSF 85	34.5	8	85	7.6	32	22
VTSF 105	35.5	8	105	10	32	22
VTSF 135	42.5	10	135	12.3	32	22

Art. VTSF 35 ÷ 135