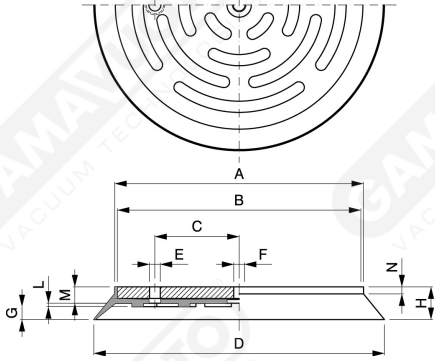
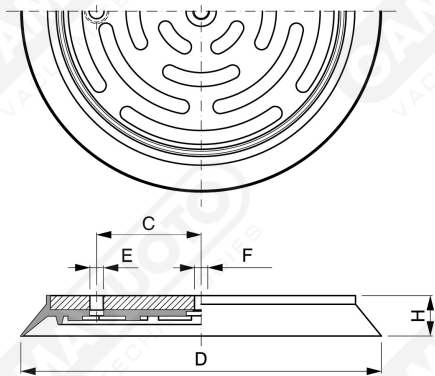


Saugscheiben Serie VDS mit vulkanisierter Stütze aus Stahl



Art. VDS 110 ÷ 350

Art	AØ	BØ	C	DØ	EØ	FØ	G	L	M	N	H
VDS 110	74	70	26	110	1/4"	M12	10	2	14	5	26
VDS 150	115	110	39.8	150	3/8"	M12	7.5	4	14.5	5	26
VDS 200	164	160	47.5	200	3/8"	M12	11	4	14	7	28
VDS 250	215	210	72	250	3/8"	M12	11	4	14	7	28
VDS 300	166	260	89	300	1/2"	M16	11	5	15	7	31
VDS 350	316	310	89	350	1/2"	M16	11	5	15	7	31



Art. VDS 111 ÷ 351

Art	C	D	E	F	H
VDS 111	26	110	1/4"	M12	26
VDS 151	40	150	3/8"	M12	26
VDS 201	47.5	200	3/8"	M12	28
VDS 251	72.5	250	3/8"	M12	28
VDS 301	89	300	1/2"	M16	31
VDS 351	89	350	1/2"	M16	31