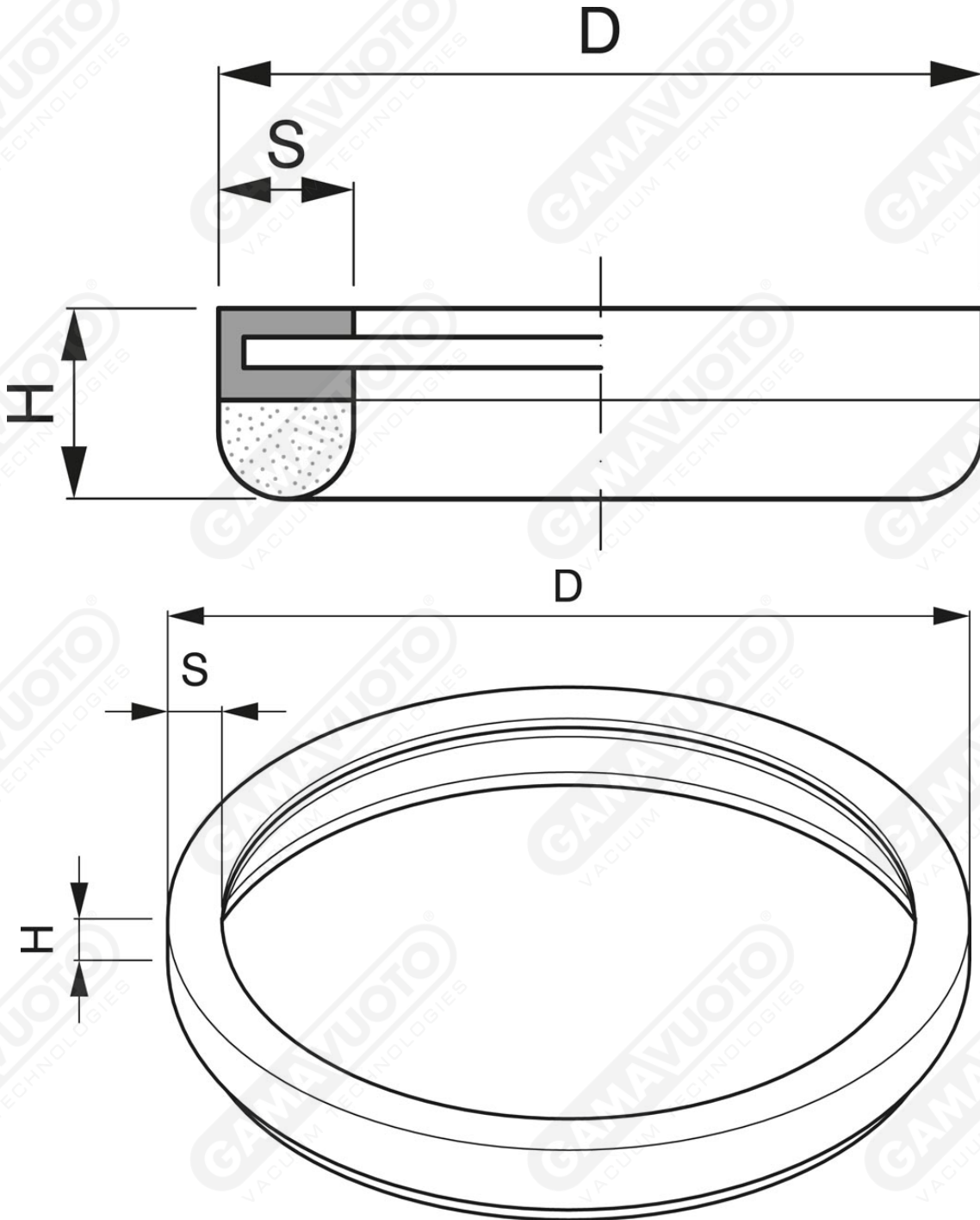


Saugscheiben Serie PF ohne Stütze



Art. PF 42 45 ÷ PF 315 45

Art.	D	S	H
PF 42 45	38	7.5	10.5

PF 70 45	60	7.5	10.5
PF 110 45	100	7.5	10.5
PF 150 45	140	7.5	10.5
PF 215 45	210	15	26.5
PF 315 45	310	15	26.5