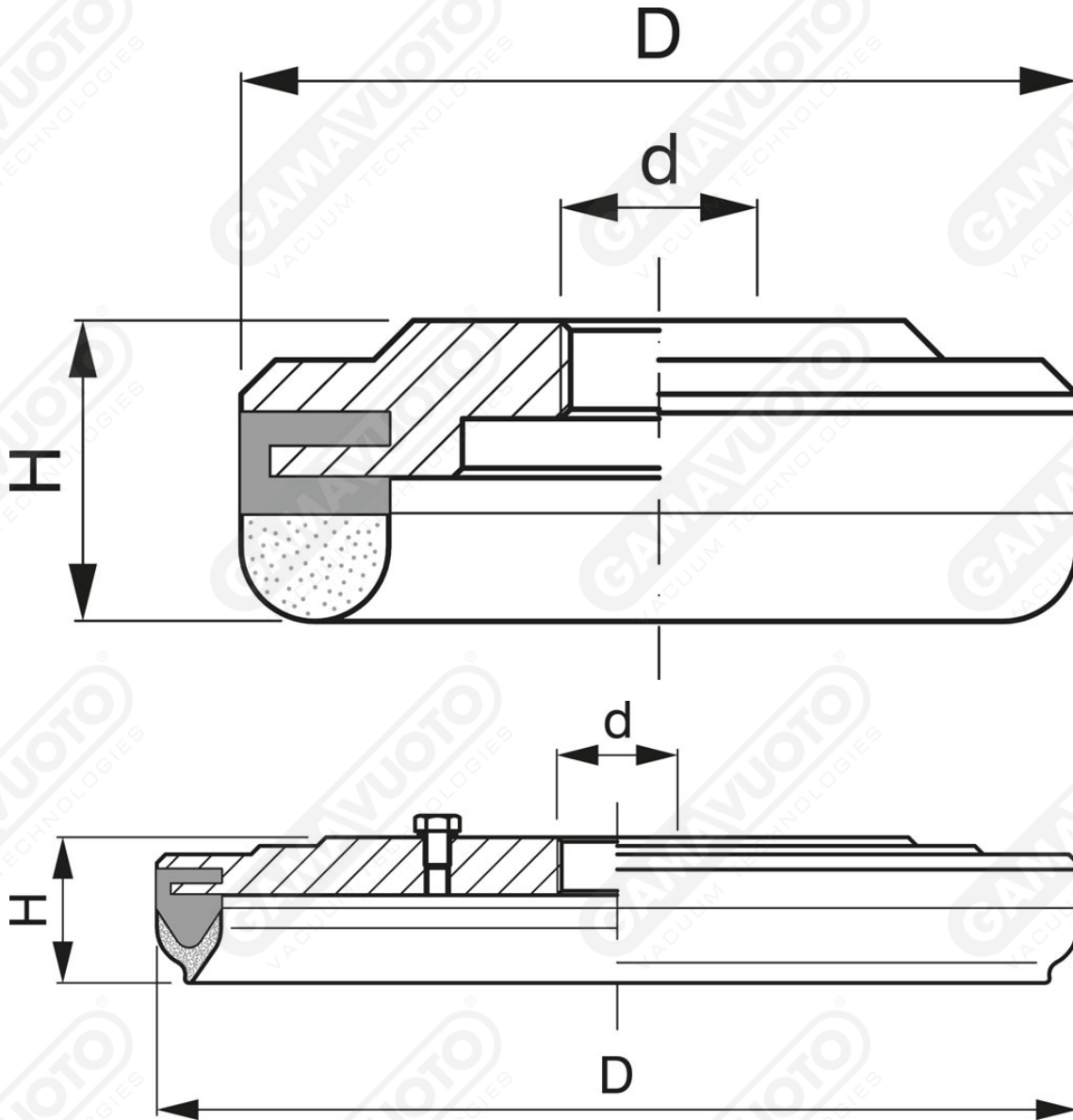


Saugscheiben Serie PF mit Stütze



Art. PF 42 40 ÷ PF 315 40

Art.	D	d	H
PF 42 40	42.5	1/8"	15.5
PF 70 40	67.5	1/8"	15.5
PF 110 40	107.5	1/2"	19
PF 150 40	145	1/2"	23
PF 215 40	215	3/4"	34
PF 315 40	315	3/4"	34

