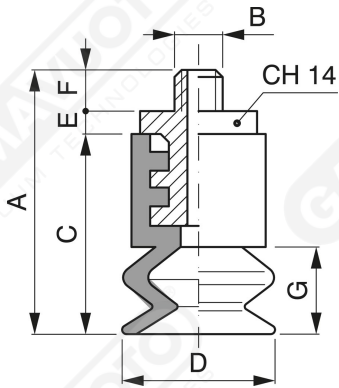
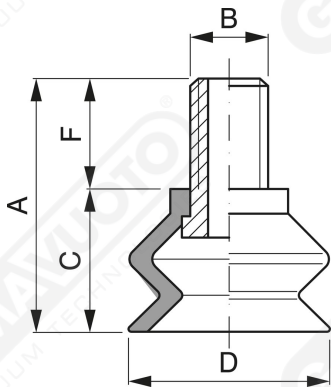


Sonder-Saugnapfe mit Balg mit Außengewinde



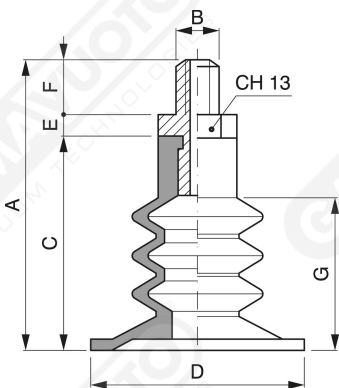
Art =	Saugn.	+ Stütze	A	B	C	D	E	F	G
SM 16 01 =	VSS 16/1	+SUM 43	30.5	5 MA	21	16	4	5.5	10
SM 20 10 =	VSS 20/1	+SUM 31	58	1/8"	38	20	6.5	13.5	16
SM 20 14 =	VSS 20/1	+SUM 56	58	1/4"	38	20	6.5	7	16
SM 25 10 =	VSS 25/1	+SUM 31	58	1/8"	38	25	6.5	13.5	16
SM 25 14 =	VSS 25/1	+SUM 56	58	1/4"	38	25	6.5	7	16

Art. SM 16 01 - SM 20 10 - SM 20 14 - SM 25 10 - SM 25 14



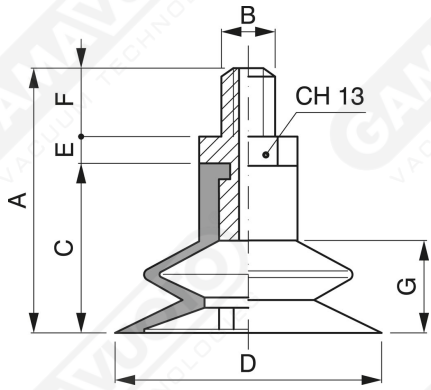
Art =	Saugn.	+ Stütze	A	B	C	D	E	F
SM 18 01 =	VSS 18/1	+SUM 9	21	8 MA	11	18	-	10
SM 18 02 =	VSS 18/1	+SUM 27	19	6 MA	11	18	-	8

Art. SM 18 01 - SM 18 02



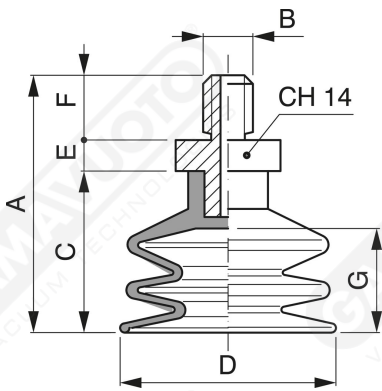
Art =	Saugn.	+ Stütze	A	B	C	D	E	F	G
SM 30 02 =	VSS 30/3	+SUM 30	50.5	6 MA	38	30	5	6.5	26
SM 32 01 =	VSS 32/3	+SUM 30	50.5	6 MA	38	32	5	6.5	26
SM 38 01 =	VSS 38/3	+SUM 30	50.5	6 MA	38	38	5	6.5	26
SM 38 03 =	VSS 38/3	+SUM 50	50.5	1/8"	38	38	5	8.5	26

Art. SM 30 02 - SM 32 01 - SM 38 01 - SM 38 03



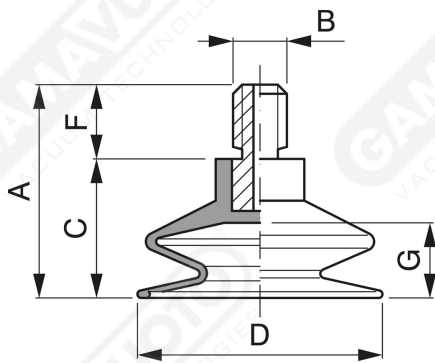
Art =	Saugn. + Stütze	A	B	C	D	E	F	G
SM 30 18 =	VSS 30/1 + SUM 87	33.5	1/8"	21	30	5	7.5	14.5
SM 36 01 =	VSS 36/1 + SUM 30	33.5	6 MA	22	36	5	6.5	13
SM 41 01 =	VSS 41/1 + SUM 30	33.5	6 MA	22	41	5	6.5	13

Art. SM 30 18 - SM 36 01 - SM 41 01



Art =	Saugn. + Stütze	A	B	C	D	E	F	G
SM 20 01 =	VSS 20/2 + SUM 42	36	1/8"	22	20	5	9	16.5
SM 30 01 =	VSS 30 + SUM 42	51	8 MA	38	30	5	8	23.5

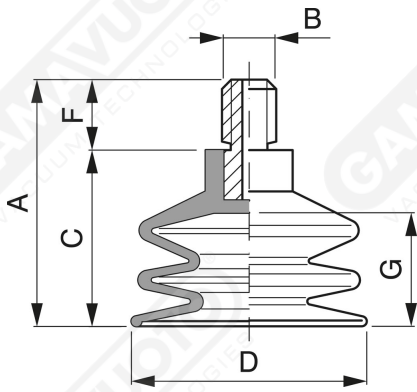
Art. SM 20 01 - SM 30 01



Art =	Saugn.	+ Stütze	A	B	C	D	E	F	G
SM 30 11 =	VSS 31/1	+ SUM 19 + SUM 8	50	1/4"	38	30	-	12	17
SM 40 11 =	VSS 40/1	+ SUM 19 + SUM 13	48	1/4"	38	40	-	10	14
SM 42 11 =	VSS 42/1	+ SUM 19 + SUM 14	44	1/4"	32	42	-	12	15
SM 50 11 =	VSS 50/1	+ SUM 19 + SUM 21	45	1/4"	36	50	-	9	18

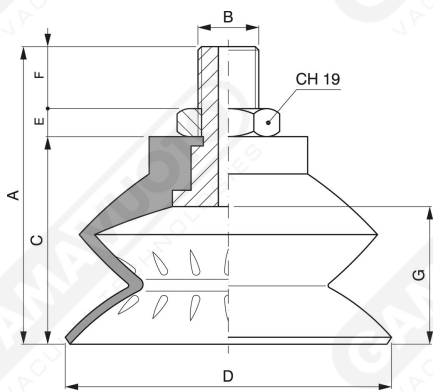
Art. SM 30 11 ÷ SM 50 11

Sonder-Saugnäpfe mit Balg



Art =	Saugn.	+ Stütze	A	B	C	D	E	F	G
SM 20 02 =	VSS 20/2	+ SUM 09	29.5	8 MA	22	20	-	7.5	16.5
SM 30 10 =	VSS 30/2	+ SUM 19 + SUM 8	62	1/4"	50	30	-	12	30
SM 40 10 =	VSS 40/2	+ SUM 19 + SUM 13	63	1/4"	53	40	-	10	30
SM 50 12 =	VSS 50/2	+ SUM 19 + SUM 21	60	1/4"	50	50	-	10	30
SM 53 12 =	VSS 53/2	+ SUM 19 + SUM 21	60	1/4"	42	50	-	10	23

Art. SM 20 02 - SM 30 10 - SM 40 10 - SM 50 12 - SM 53 12



Art =	Saugn.	+ Stütze	A	B	C	D	E	F	G
SM 72 01 =	VSS 72/1	+ SUM 34 + Dado 1/4	62	1/4"	45	72	6	11	30

Art. SM 72 01