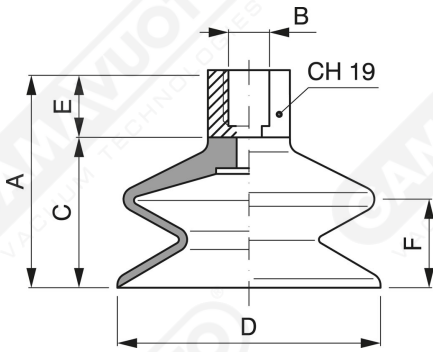
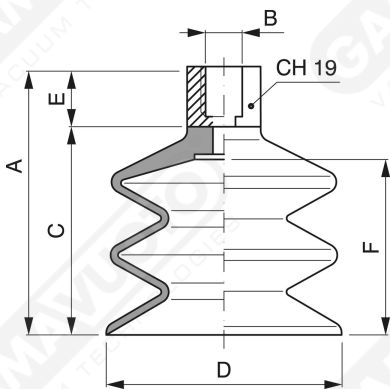


**Sonder-Saugnapfe mit Balg mit Innengewinde**



Art =	Saugn.	+ Stütze	A	B	C	DØ	E	F
<b>SF 30 11 =</b>	VSS 31/1	+ SUM 8 + SUF 52	51	1/4"	38	30	13	15
<b>SF 40 11 =</b>	VSS 40/1	+ SUM 13 + SUF 52	51	1/4"	38	40	13	15
<b>SF 50 11 =</b>	VSS 50/1	+ SUM 21 + SUF 52	49	1/4"	36	50	13	13
<b>SF 43 12 =</b>	VSS 43/11	+ SUM 21 + SUF 52	43	1/4"	30	43	13	14
<b>SF 60 12 =</b>	VSS 60/11	+ SUM 21 + SUF 52	49	1/4"	36	60	13	18
<b>SF 85 12 =</b>	VSS 85/11	+ SUM 21 + SUF 52	63	1/4"	50	85	13	30

**Art. SF 30 11 - SF 40 11 - SF 50 11  
- SF 43 12 - SF 60 12 - SF 85 12**



Art =	Saugn.	+ Stütze	A	B	C	DØ	E	F
<b>SF 30 10 =</b>	VSS 30/2	+ SUM 8 + SUF 52	63	1/4"	50	30	13	25
<b>SF 40 10 =</b>	VSS 40/2	+ SUM 13 + SUF 52	66	1/4"	53	40	13	30
<b>SF 50 12 =</b>	VSS 50/2	+ SUM 21 + SUF 52	63	1/4"	50	50	13	25
<b>SF 53 12 =</b>	VSS 53/2	+ SUM 21 + SUF 52	55	1/4"	42	50	13	18
<b>SF 53 12 18 =</b>	VSS 53/2	+ SUM 21 + SUF 58	52.5	1/8"	42	50	10.5	18
<b>SF 43 22 =</b>	VSS 43/3	+ SUM 21 + SUF 52	59	1/4"	46	43	13	29
<b>SF 60 22 =</b>	VSS 60/12	+ SUM 21 + SUF 52	68	1/4"	55	60	13	37
<b>SF 85 22 =</b>	VSS 85/12	+ SUM 21 + SUF 52	93	1/4"	80	85	13	58

**Art. SF 30 10 - SF 40 10 - SF 50 12  
- SF 53 12 - SF 53 12 18 - SF 43 22  
- SF 60 22 - SF 85 22**