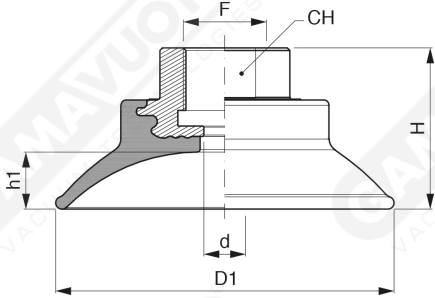
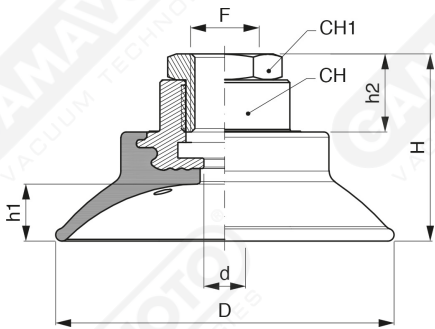


Spherical suction cups - VTL Series



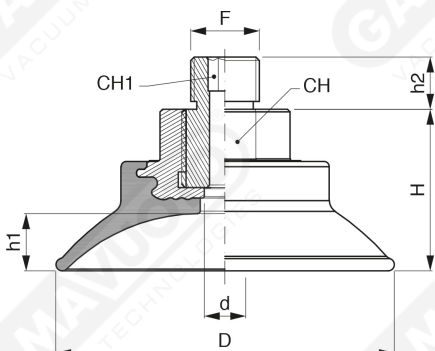
Art. VTLA

Art.	D	d	F	H	CH	h1
VTLA 35	35	6	1/4"	20	17	3
VTLA 45	45	6	1/4"	22	17	4
VTLA 55	55	6	3/8"	28	22	5
VTLA 65	65	6	3/8"	31	22	6
VTLA 85	85	6	3/8"	35	22	7.6



Art. VTLB

Art.	D	d	F	H	CH	h1	CH1	h2
VTLB 35	35	6	3/8"	36	17	3	22	9
VTLB 45	45	6	3/8"	38	17	4	22	9
VTLB 55	55	6	1/4"	33	22	5	20	15
VTLB 65	65	6	1/4"	36	22	6	20	15
VTLB 85	85	6	1/4"	40	22	7.6	20	15



Art. VTLC

Art.	D	d	F	H	CH	h1	CH1	h2
VTLC 35	35	6	1/4"	20	17	3	6	10
VTLC 45	45	6	1/4"	22	17	4	6	10
VTLC 55	55	6	1/4"	28	22	5	6	10
VTLC 65	65	6	1/4"	31	22	6	6	10
VTLC 85	85	6	1/4"	35	22	7.6	6	10