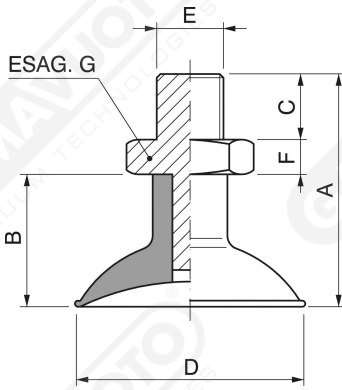


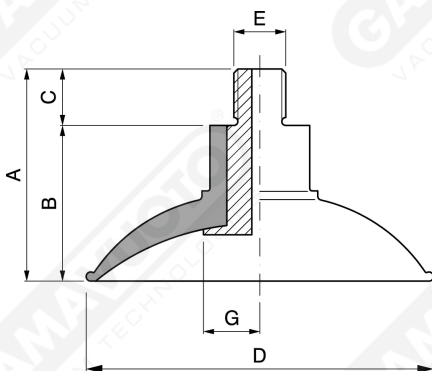
## Standard spherical suction cups with male support



Art. VSUM 6 ÷ 22

Art.	S. cup	+ Supp.	A	B	C	DØ	EØ	F	G
VSUM 6	V6	SUM 40	15.5	8	3.5	6	5 MA	4	7
VSUM 8	V8	SUM 46	15	8	5	8	5 MA	2	8
VSUM 10	V10	SUM 30	25	11	9	10	1/8"	5	14
VSUM 10-5	V10	SUM 41	21	11	5	10	5 MA	5	14
VSUM 10L	V10L	SUM 30	24.5	10.5	9	10	1/8"	5	14
VSUM 10L-5	V10L	SUM 41	20.5	10.5	5	10	5 MA	5	14
VSUM 12	V12	SUM 30	25	11	9	12	1/8"	5	14
VSUM 12-5	V12	SUM 41	21	11	5	12	5 MA	5	14
VSUM 15	V15	SUM 30	26	12	9	15	1/8"	5	14
VSUM 15-5	V15	SUM 41	22	12	5	15	5 MA	5	14
VSUM 18	V18	SUM 30	26	12	9	18	1/8"	5	14
VSUM 18-5	V18	SUM 41	22	12	5	18	5 MA	5	14
VSUM 20	V20	SUM 30	27	13	9	20	1/8"	5	14
VSUM 20-5	V20	SUM 41	23	13	5	20	5 MA	5	14
VSUM 22	V22	SUM 30	27	13	9	22	1/8"	5	14
VSUM 22-5	V22	SUM 41	23	13	5	22	5 MA	5	14

All the V6 suction cups can be fitted with a metal support (aluminum, brass, steel) that allows the replacement of the suction cups only, interchangeable with the support itself.

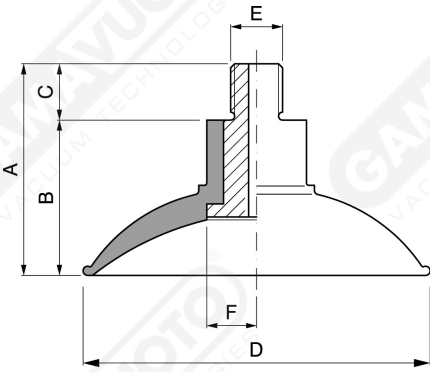


Art. VSUM 25/C ÷ 45/C

Art.	S. cup	+ Supp.	A	B	C	DØ	EØ	F	G
VSUM 25/C	V25/C	SUM10	17	8	9	25	6 MA*	-	12
VSUM 25/L	V25/L	SUM12	24	16	8	25	6 MA*	-	15
VSUM 30/C	V30/C	SUM10	17	8	9	30	6 MA*	-	12
VSUM 30/L	V30/L	SUM12	24	16	8	30	6 MA*	-	15
VSUM 35/C	V35/C	SUM11	19	10	9	35	6 MA*	-	15
VSUM 35/L	V35/L	SUM18	28	17	11	35	1/4"	-	19
VSUM 45/C	V45/C	SUM18	31	17	14	45	1/4"	-	19

\*Available also in 1/8" and M8.

Standard spherical suction cups



Art.	S. cup	+ Supp.	A	B	C	DØ	EØ	F	G
VSUM 60	V60	SUM22	33	22	11	59	1/4"	25	-
VSUM 65	V65	SUM22	37	24	13	65	1/4"	25	-
VSUM 87	V87	SUM24	54	40	14	87	1/4"	25	-

Art. VSUM 60 ÷ 87