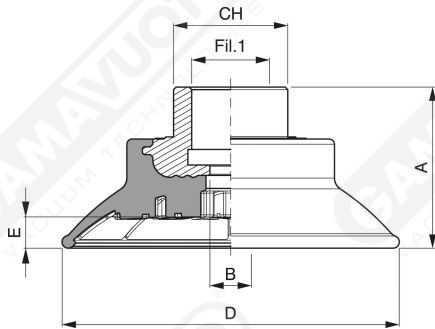
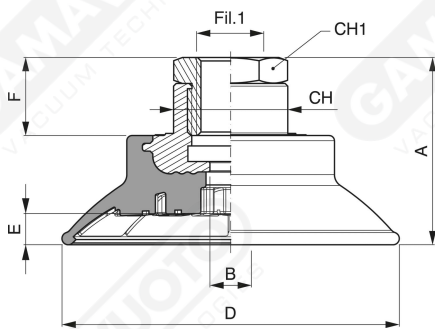


**Spherical Elastobrake suction cups**



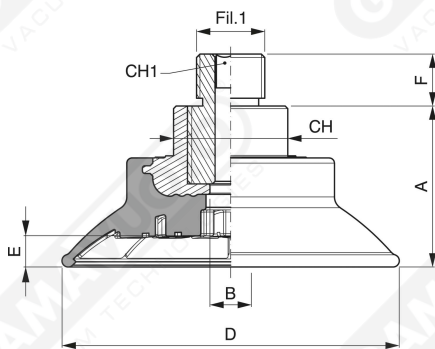
**Art. VTSA 35 ÷ 135**

Art.	A	B	Fil.1	D	E	CH
<b>VTSA 35</b>	20	6	1/4"	35	3	17
<b>VTSA 45</b>	22	6	1/4"	45	4	17
<b>VTSA 55</b>	28	8	3/8"	55	5	22
<b>VTSA 65</b>	31	8	3/8"	65	6	22
<b>VTSA 85</b>	35	8	3/8"	85	7.6	22
<b>VTSA 105</b>	36	8	3/8"	105	10	22
<b>VTSA 135</b>	43	10	3/8"	135	12.3	22



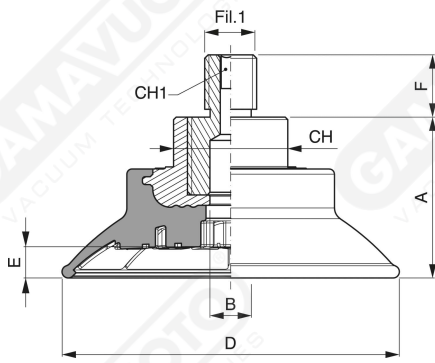
**Art. VTSB 35 ÷ 135**

Art.	A	B	Fil.1	D	E	F	CH	CH1
<b>VTSB 35</b>	36	6	3/8"	35	3	9	17	22
<b>VTSB 45</b>	38	6	3/8"	45	4	9	17	22
<b>VTSB 55</b>	33	8	1/4"	55	5	15	22	19
<b>VTSB 65</b>	36	8	1/4"	65	6	15	22	19
<b>VTSB 85</b>	40	8	1/4"	85	7.6	15	22	19
<b>VTSB 105</b>	41	8	1/4"	105	10	15	22	19
<b>VTSB 135</b>	48	10	1/4"	135	12.3	15	22	19



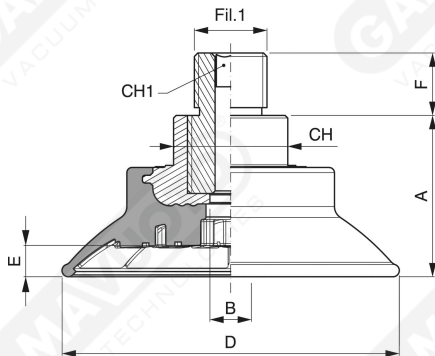
**Art. VTSC 35 ÷ 135**

Art.	A	B	Fil.1	D	E	F	CH	CH1
<b>VTSC 35</b>	20	6	1/4"	35	3	10	17	6
<b>VTSC 45</b>	22	6	1/4"	45	4	10	17	6
<b>VTSC 55</b>	28	8	1/4"	55	5	10	22	6
<b>VTSC 65</b>	31	8	1/4"	65	6	10	22	6
<b>VTSC 85</b>	35	8	1/4"	85	7.6	10	22	6
<b>VTSC 105</b>	36	8	1/4"	105	10	10	22	6
<b>VTSC 135</b>	43	10	1/4"	135	12.3	10	22	6



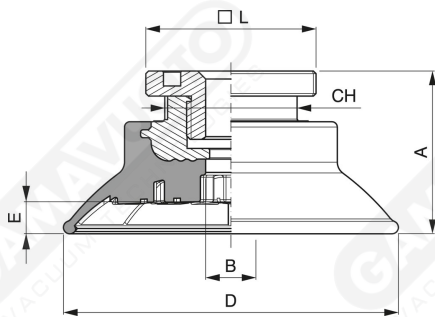
**Art. VTSD 35 ÷ 135**

Art.	A	B	Fil.1	D	E	F	CH	CH1
<b>VTSD 35</b>	20	6	M10	35	3	12	17	4
<b>VTSD 45</b>	22	6	M10	45	4	12	17	4
<b>VTSD 55</b>	28	8	M10	55	5	12	22	4
<b>VTSD 65</b>	31	8	M10	65	6	12	22	4
<b>VTSD 85</b>	35	8	M10	85	7.6	12	22	4
<b>VTSD 105</b>	36	8	M10	105	10	12	22	4
<b>VTSD 135</b>	43	10	M10	135	12.3	12	22	4



**Art. VTSE 35 ÷ 135**

Art.	A	B	Fil.1	D	E	F	CH	CH1
<b>VTSE 35</b>	20	6	M14x1.5	35	3	12	17	6
<b>VTSE 45</b>	22	6	M14x1.5	45	4	12	17	6
<b>VTSE 55</b>	28	8	M14x1.5	55	5	12	22	6
<b>VTSE 65</b>	31	8	M14x1.5	65	6	12	22	6
<b>VTSE 85</b>	35	8	M14x1.5	85	7.6	12	22	6
<b>VTSE 105</b>	36	8	M14x1.5	105	10	12	22	6
<b>VTSE 135</b>	43	10	M14x1.5	135	12.3	12	22	6



**Art. VTSF 35 ÷ 135**

Art.	A	B	D	E	L	CH
<b>VTSF 35</b>	23.2	6	35	3	32	17
<b>VTSF 45</b>	28	6	45	4	32	17
<b>VTSF 55</b>	27.5	8	55	5	32	22
<b>VTSF 65</b>	30.5	8	65	6	32	22
<b>VTSF 85</b>	34.5	8	85	7.6	32	22
<b>VTSF 105</b>	35.5	8	105	10	32	22
<b>VTSF 135</b>	42.5	10	135	12.3	32	22