



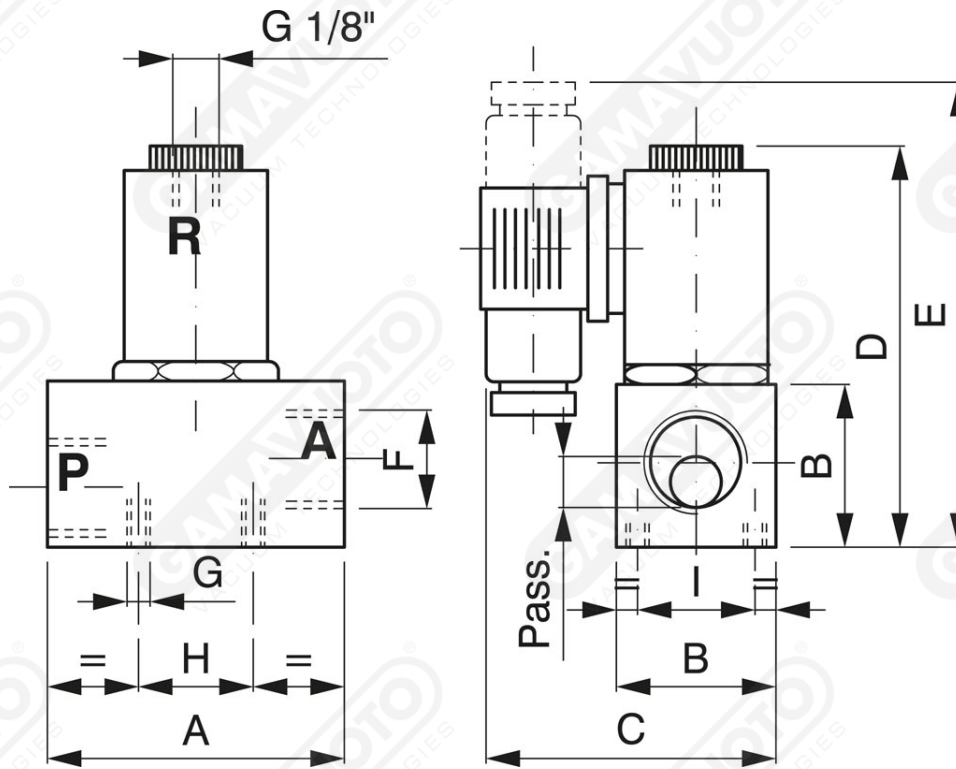
## 2 and 3 way electro-pilots normally closed

To all intents and purposes, these can be defined as direct control mini-solenoid valves, normally closed with the following limitations: fewer cycles per minute, determined by the fixed outlet dimension of 3mm, and the use of small capacity pumps.

The electro-pilot comes with a 360° revolving coil encapsulated in a polyamide resin with class F 155°C fibre glass.

Connection is made with an incorporated HIRSCHMANN type socket.

- Power absorbed: MAX 11 watt
- Standard voltage supply: 24 - 110 - 220V. 50/60 Hz 110-48-24-12 DC 100% ED
- Working limits: rated voltage +5% -10% with hot coil.
- Working temperature of coil: -10°C +45°C
- Max fluid temperature: +80°C
- Degree of protection of connector



Art. ELP 2 - ELP 3

| Art.      | A  | B  | C    | D  | E  | F    | G   | H    | I    | Ø Orif. | Capacity m <sup>3</sup> /h |
|-----------|----|----|------|----|----|------|-----|------|------|---------|----------------------------|
| ELP/2 1/4 | 44 | 25 | 62.5 | 81 | 86 | 1/4" | M 6 | 15.5 | 15.5 | 6       | 5                          |
| ELP/2 1/2 | 65 | 35 | 65   | 90 | 98 | 1/2" | M 6 | 25   | 28   | 11      | 10                         |
| ELP/3 1/4 | 44 | 25 | 62.5 | 81 | 86 | 1/4" | M 6 | 15.5 | 15.5 | 6-3*    | 5                          |
| ELP/3 1/2 | 65 | 35 | 65   | 90 | 98 | 1/2" | M 6 | 25   | 28   | 11-3*   | 10                         |

\* Outlet pilot