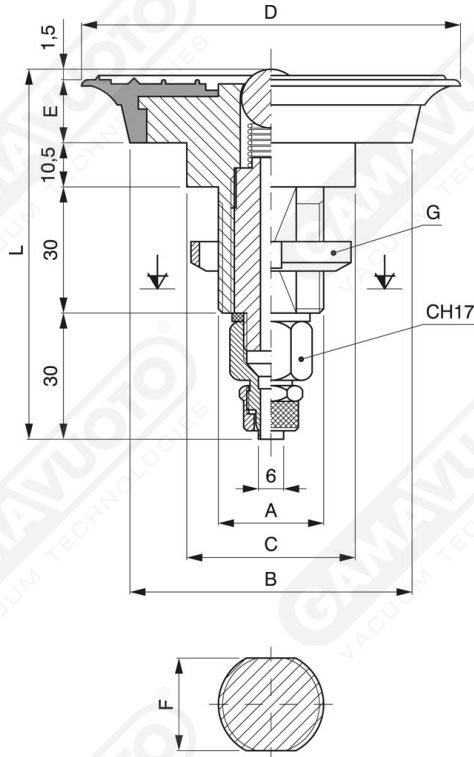


Disc suction cup VDPT series with spherical relief valve



Art. VDPT 65 ÷ 160

Art.	A	B	C	DØ	E	F	G	L
VDPT 65	25x1.5	50	40	65	16	22	KM 5	86.5
VDPT 67	25x1.5	67	40	65	17	22	KM 5	87.5
VDPT 85	25x1.5	67	40	85	17.5	22	KM 5	87.5
VDPT 90	25x1.5	67	40	90	17.5	22	KM 5	87.5
VDPT 120	25x1.5	96	40	120	17	22	KM 5	87.5
VDPT 160	35x1.5	131	80	160	23	32	KM 7	93.5