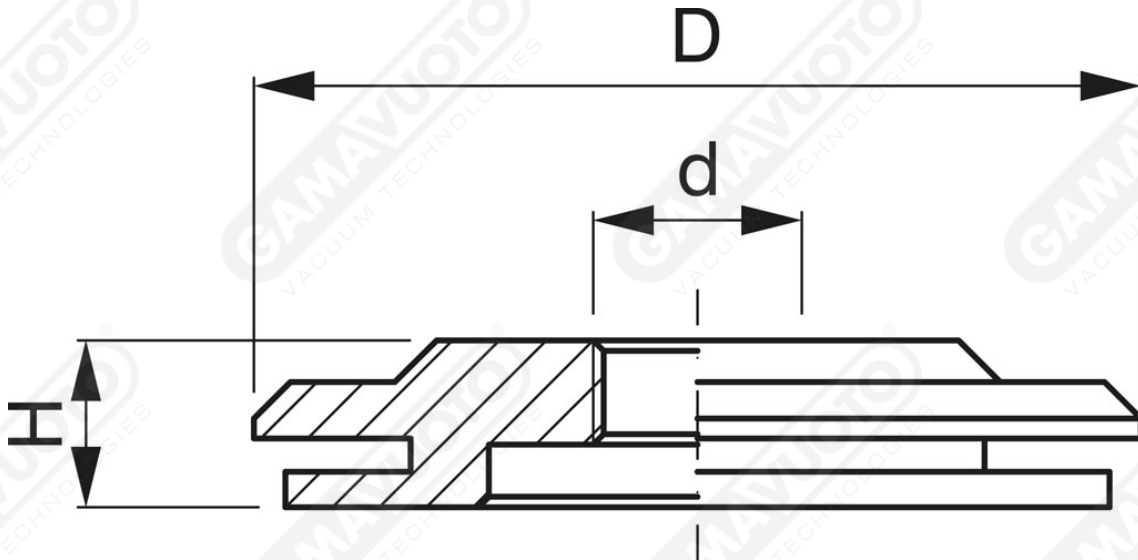


Support for PF series suction cups

Art. PF 42 10 ÷ PF 315 10

Art.	D	d	H
PF 42 10	42.5	1/8"	8
PF 70 10	67.5	1/8"	8
PF 110 10	107.5	1/2"	12
PF 150 10	145	1/2"	16
PF 215 10	215	3/4"	13.5
PF 315 10	315	3/4"	13.5