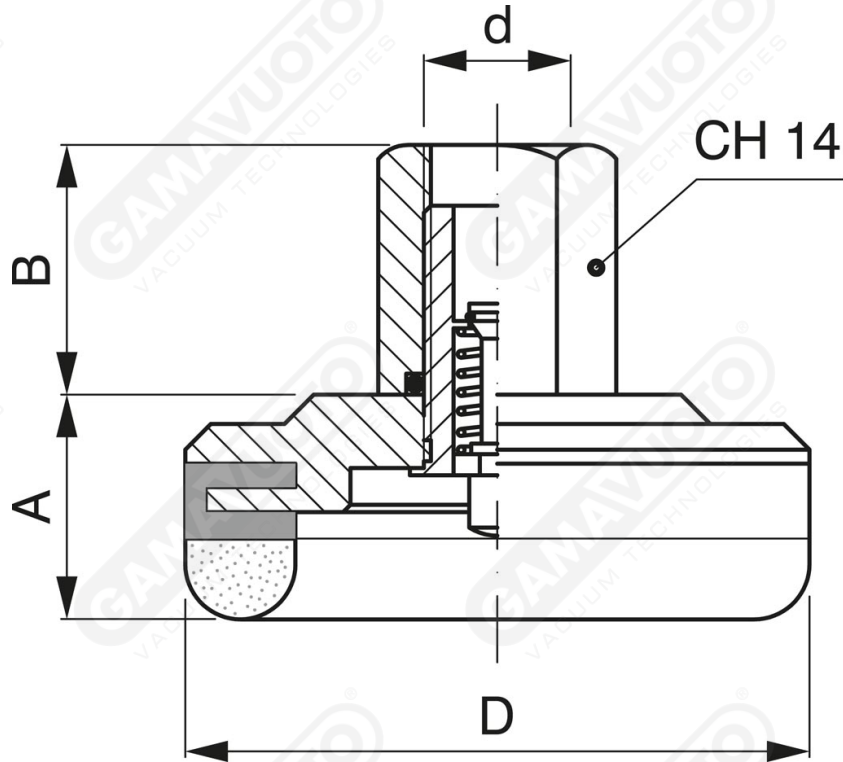


**Disc suction cups PF series with support and relief valve**



**Art. PF 42 50 ÷ PF 150 50**

Art.	S. cup	+ Sensor	A	B	D	d
<b>PF 42 50</b>	PF 42 40	T.75	15.5	17	42.5	1/8"
<b>PF 70 50</b>	PF 70 40	T.75	15.5	17	67.5	1/8"
<b>PF 110 50</b>	PF 110 40	T.110	19	32	107.5	1/2"
<b>PF 150 50</b>	PF 150 40	T.110	23	32	145	1/2"