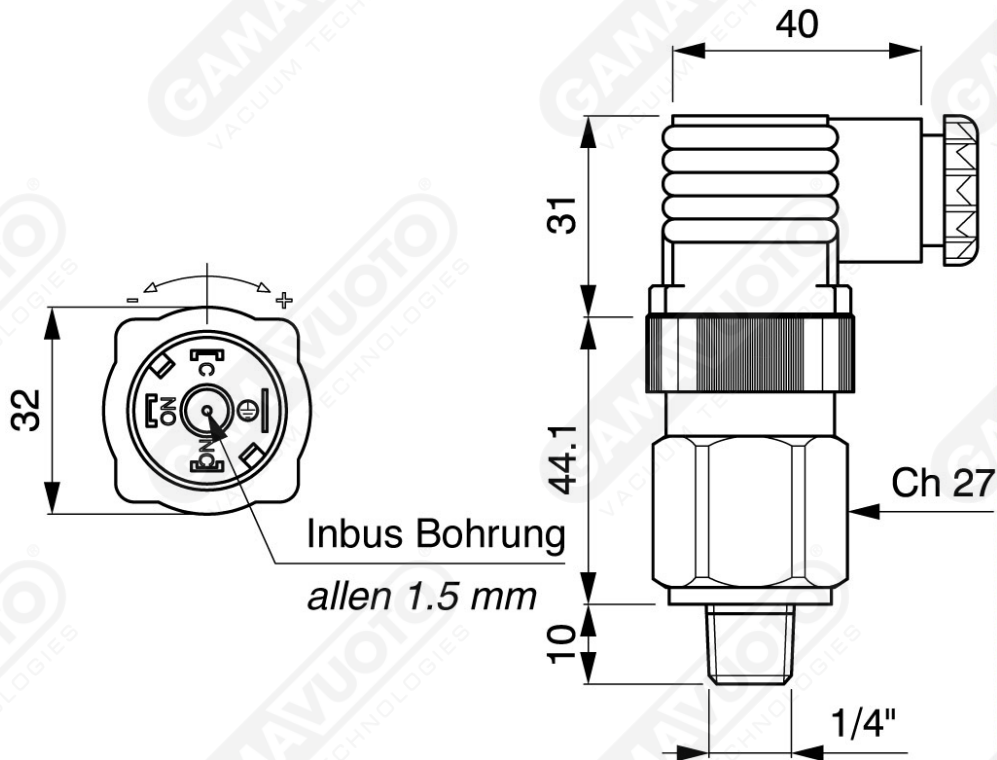


## Mini vacuum - pressure switch



Very small vacuum switches with adjustable membranes, made with only one connection, NO or NC.  
Adjustment of the vacuum (range from -150 to -675 mm/Hg) is achieved by moving the setscrew situated at the top.  
It is important to make sure that the screw is not turned completely, in order to avoid affecting correct functioning.



Art. SVC/PACC

Art. SVC/PACC	Technical data
<b>Max working power</b>	250 V
<b>Max fluid temperature</b>	+80°C
<b>Protection</b>	IP 65
<b>Electrical specifications</b>	5(4)A/14Vdc 4(3)A/30Vdc 5(3)A/125Vdc 3(2)A/250Vdc
<b>Intervention tolerance 20°C</b>	± 100 mbar
<b>Working pressure</b>	da -200 a -900 mbar
<b>Art. SVC/PACC</b>	Commutation contact