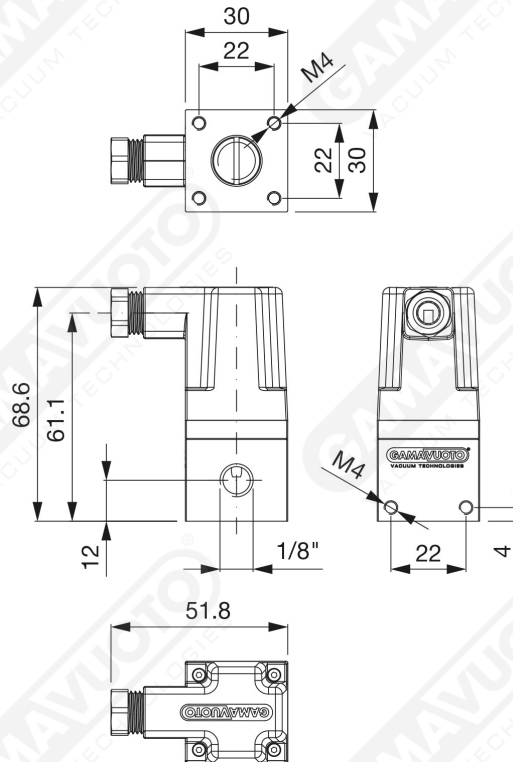




## Vacuum switch

A very small vacuum switch, which functions in the same way as the larger series, with the difference that in this model the differential is not adjustable. It is particularly useful in situations where an electrical signal is needed when a certain level of adjustable vacuum is reached, for safety reasons, to start a cycle, to control the grip of the suction cup, ...etc. The switch is supplied with a rubber protection cap.



**Art. SVC/L**

Art. SVC/L	Technical data
<b>Working pressure</b>	da -60 a -700 mm Hg
<b>Contacts</b>	one in commutation contact contact
<b>Contact load</b>	5 A a 250 V. ca.
<b>Electrical connections</b>	fast-on terminals
<b>Working temperature</b>	-5 +70° C
<b>Protection</b>	IP 45