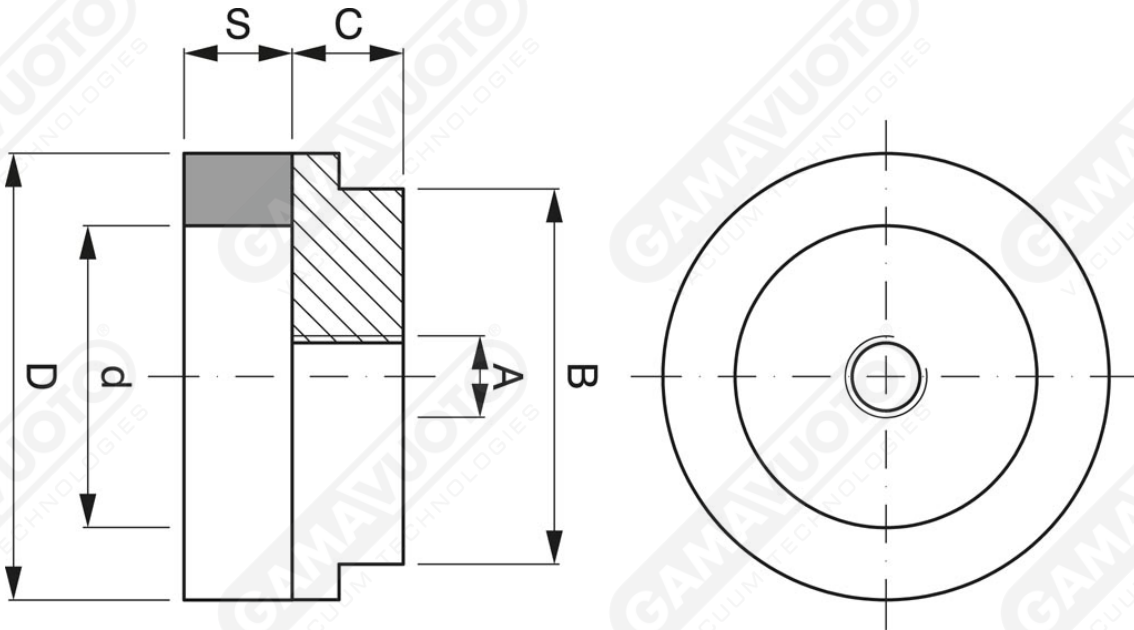


Foam rubber suction cups with support



Art. VGS 44 24 10 ÷ VGS 127 97 10

Art.	S. cup	+ Disc	A	B	C	D	d	S
VGS 44 24 10	GS 44 24 10	D.VD6514	1/4"	40	10	44	24	10
VGS 60 40 10	GS 60 40 10	D.VD9014	1/4"	59	11	63	43	10
VGS 92 72 10	GS 92 72 10	D.VD12014	1/4"	89	11	92	72	10
VGS 127 97 10	GS 12 97 10	D.VD16014	1/4"	120	15	127	107	10

* Standard thickness DN 250
other shapes, dimensions and thicknesses on request