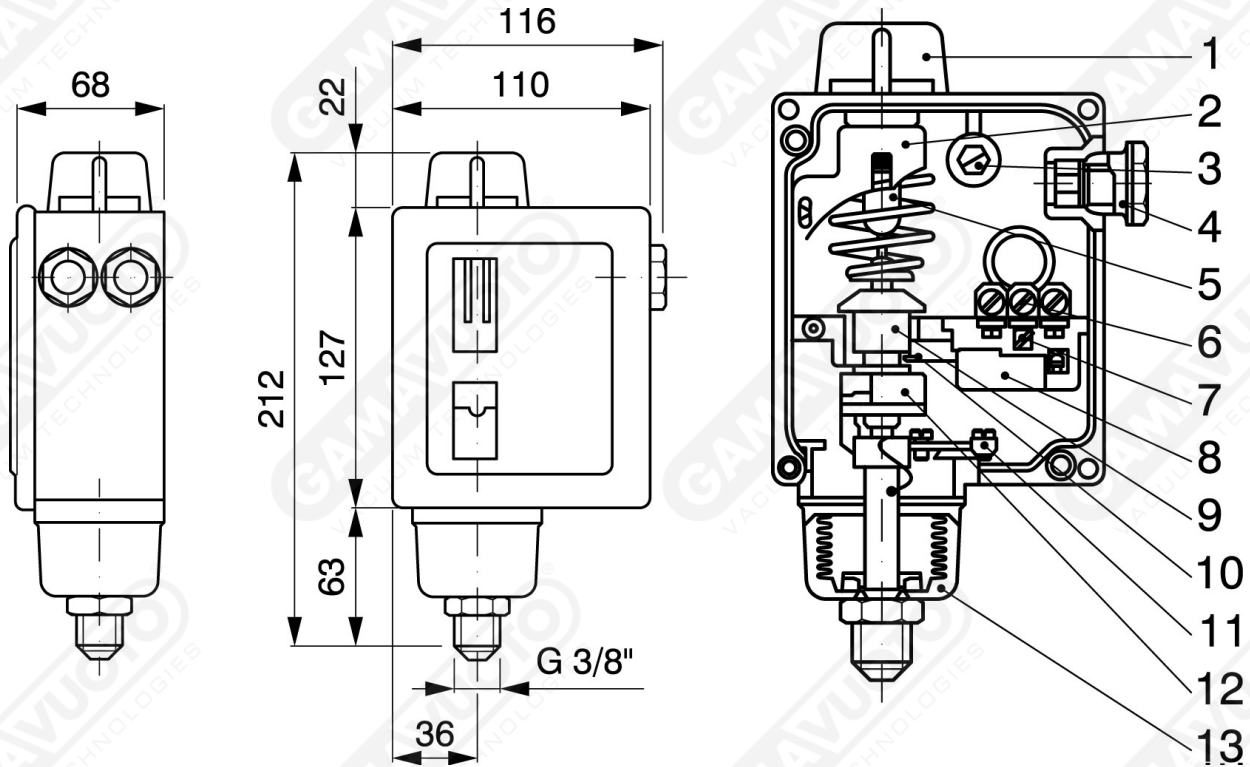




Vacuum switches - pressure switches

A pressure switch/vacuum switch can be defined as a switch which is controlled by pressure vacuum, and in which the position of the contacts depends on the pressure - vacuum in the "bellows", and on the value adjusted on the scale. The RT series covers a vast range of industrial applications in general, and is widely used in the sector of fluids, gaseous and liquid, as long as not corrosive.



Art. SVC/RT

Art. SVC/RT	Technical data
Protection	IP 66
Working temperature	-40 a 70° C
Fluid temperature	MAX 100° C
Contact load	C.A. non-inductive 10A, 400. Inductive 4A, 400 max.
Max. peak current	30 A
C.C.	12 W, 220 V
Cable socket	two pieces Pg 13.5
Approved	DEMKO, HEMKO, SEV and approved for ships
Working pressure	from -1 to 0 bar
Differential	from 90 to 400 mbar
Contacts	one in commutation contact

All pressure switches-vacuum switches built and dealt with by GAMAVUOTO are guaranteed by the safety regulations and the units of measure in force.

Vacuum switch

1. Regulation knob
2. Main scale
3. Terminal
4. Threaded cable sockets PG 13.5
5. Range spring
6. Terminals
7. Main rod
8. Contact (17-4030)
9. Upper guide knob
10. Contact arm
11. Earth
12. Adjustment ring nut
13. Bellows