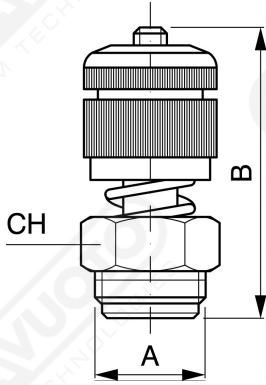


Vacuum regulation valves

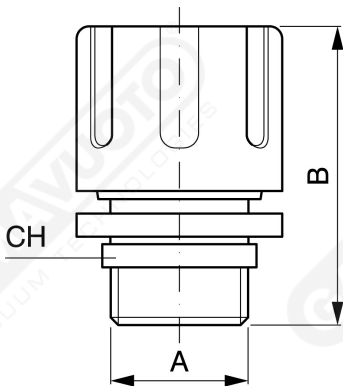


These valves, made of nickel plated brass, are very strong and accurately made, and are widely used on machines where theregulation and calibration of the vacuum must be very precise. The degree of vacuum is regulated by turning the knurled knob.



Art. EVV 1/2

Art.	A	B	CH
EVV-1/2"	G. 1/2"	58	24



Art. EVV 1

Art.	A	B	CH
EVV-1"	G. 1"	85	36