



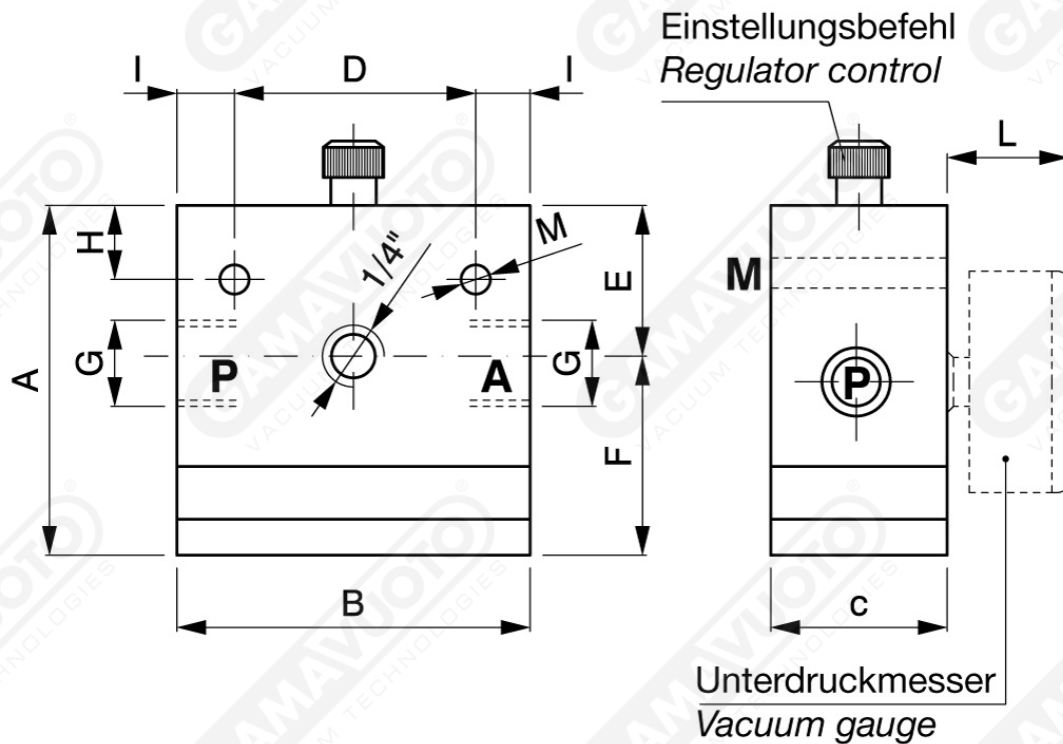
## Vacuum regulator RT

This regulator, made of anodized aluminium, is able to regulate the vacuum and flux in operation. The degree of vacuum and flux vary in a directly proportional way.

### Operation

Membrane-piston reducer.

Working pressure from -0,15 to -1 bar, with a capacity of up to 65mc/h Working temperature from +10°C to +70°C.



Art. RT

Art.	A	B	C	D	E	F	G	H	I	L	M
RT 1/4"	89	60	40	40	46	43	1/4"	20	10	35	5.5
RT 1/2"	100	100	50	71	46	55	1/2"	20	14	35	8.5
RT 3/4"	100	100	50	71	46	55	3/4"	20	14	35	8.5
RT 1"	110	120	60	90	50	60	1"	15	15	35	8.5

A: Use

P: Pump