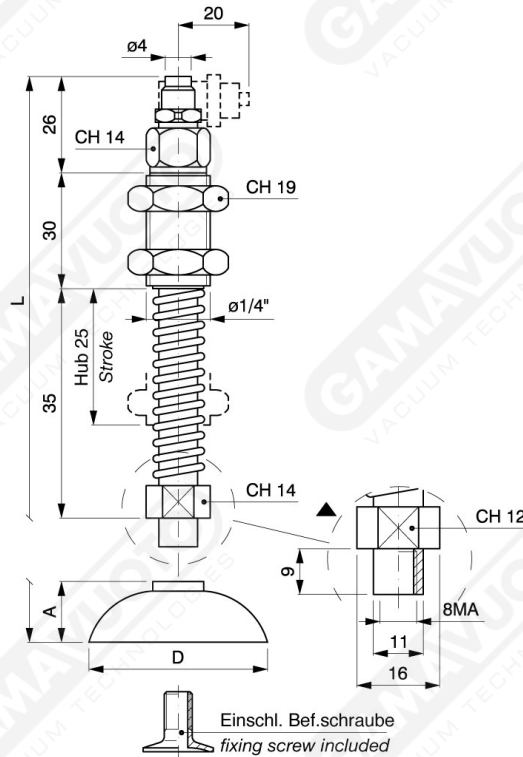




Minor suction-cup holders with fixing screw

Differs from the Standard Suction Cup-Holder only in size and weight; even though it is smaller, it is still strong and long lasting.

- Rapid straight and "L" shaped joint
- Plastic tube diameter 4 x 6
- "L" shaped rapid joint = art. PSM.....L



Art.

Art.	A	D	L	Fixing screw
PSM 25/C	8	25	99	SUM 9
PSM 30/C	8	30	99	SUM 9
PSM 35/C	10	35	101	SUM 8
PSM 35/L	17	35	108	SUM 8
PSM 45/C	17	45	103	SUM 14
PSM 45/L	20	45	111	SUM 14
PSM 60	22	57	113	SUM 21
PSM 65	24	65	115	SUM 21

NB: the suction cups are supplied on request, specifying the material