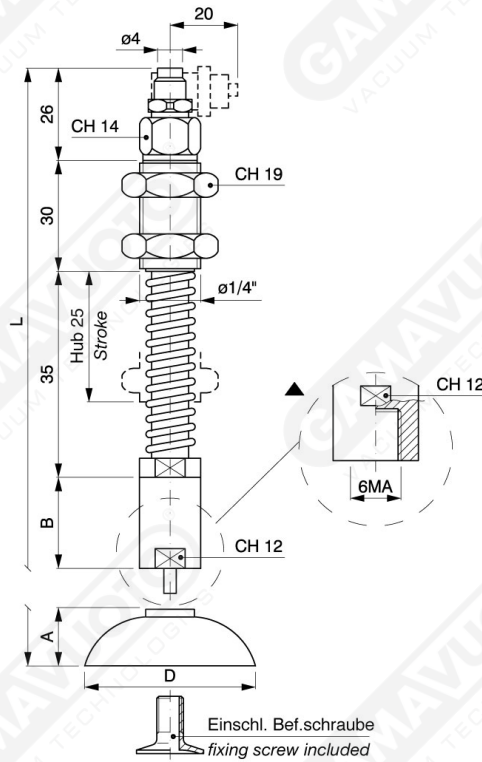




Minor suction-cup holders with valve

- Rapid straight and "L" shaped joint
- Plastic tube diameter 4 x 6
- "L" shaped rapid joint = art. PSVM.....L



Art.

Art.	A	B	D	L
PSVM 12	11	28	12	130
PSVM 15	12	28	15	131
PSVM 18	12	28	18	131
PSVM 22	13	28	22	132

NB: the suction cups are supplied on request, specifying the material