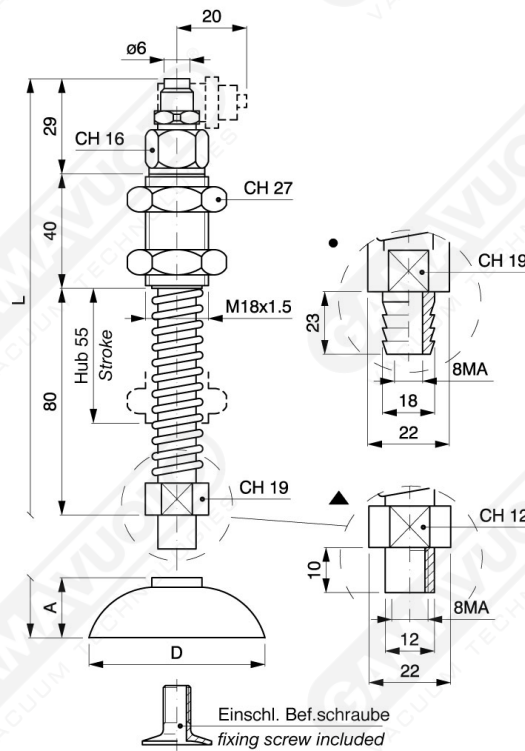




Standard suction-cup holders with fixing screw

A very strong nickel plated brass tubular element, with a rapid joint for attachment to a suction tube, together with a threaded sleeve with two nuts for attachment to the unit, and one or two springs to dampen the contact and exert a continuous pressure on the object to which the suction cup is attached.

- Rapid straight and "L" shaped joint
- Plastic tube diameter 6 x 8
- "L" shaped rapid joint = art. PS.....L



Art.

Art.	A	D	L c 15	L c 25	L c 55	L c 80	Lc120	Fixing screw
PS 25/C	8	25	117	127	157	188	229	SUM 9
PS 30/C	8	30	117	127	157	188	229	SUM 9
PS 35/C	10	35	119	129	159	190	231	SUM 8
PS 35/L	17	35	126	136	166	197	238	SUM 8
PS 45/C	17	45	126	136	166	197	238	SUM 14
PS 45/L	20	45	129	139	169	200	241	SUM 14
PS 60	22	59	131	141	171	202	243	SUM 21
PS 65	24	65	133	143	173	204	245	SUM 21
PS87	40	87	149	159	189	220	-	SUM 21

Standard suction-cup holders

NB: the suction cups are supplied on request, specifying the material