

Standard suction-cup holders anti-rotative

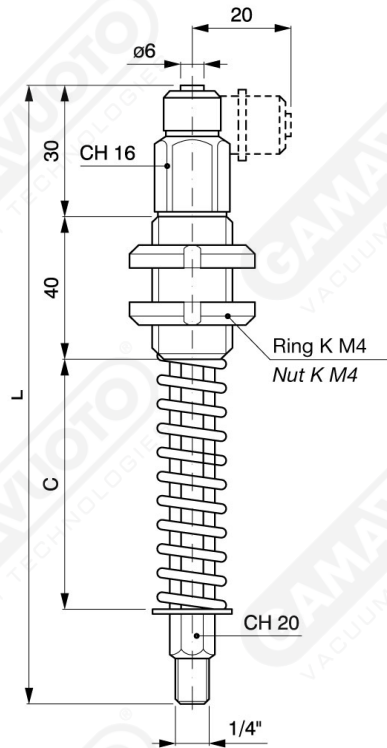


The special feature of this suction cup is the hexagonal stem that prevents it from rotating on itself. They are particularly suitable for rectangular and oval suction cups and if it is necessary, to keep the suction cup fixed on its own axis.

Also available with screwing lengths of 25mm, 55 mm, 80mm and 120mm.

Other strokes are available on request

- Rapid straight and "L" shaped joints
- Plastic tube diameter 6 x 8
- Rapid "L" shaped joint = art. PA.....L



Art.

Art.	L	C
PA 65 c25	130	54
PA 65 c55	172	84
PA 65 c80	202	114
PA 65 c120	243	155

NB: the suction cups are supplied on request, specifying the material