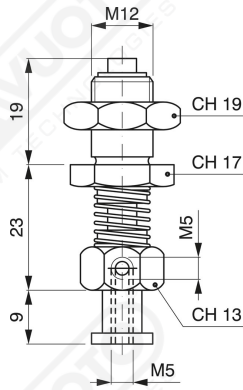
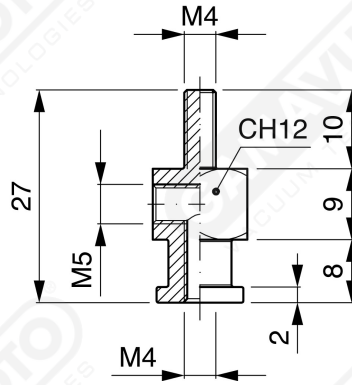


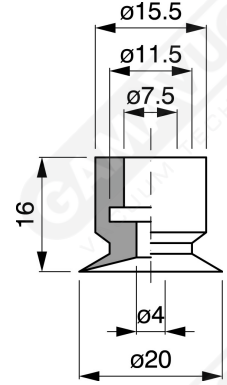
Special suction-cup holders with side suction



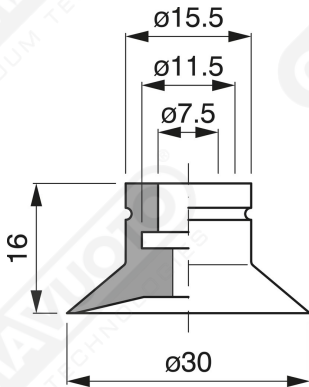
Art. PSMO 20-40 C. 5



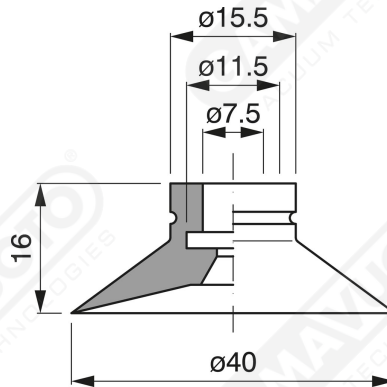
Art. SUM68



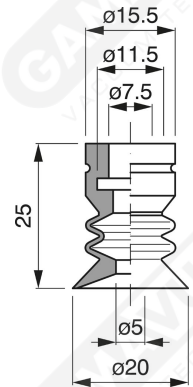
Art. VSP 20/2



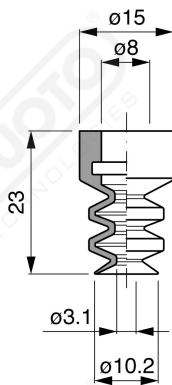
Art. VSP 30/2



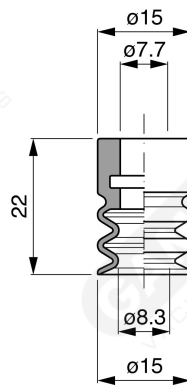
Art. VSP 40/2



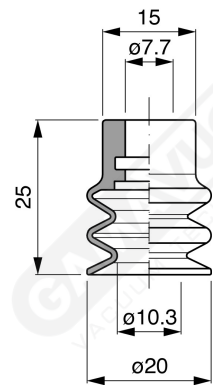
Art. VSS20/5



Art. VSSC 10

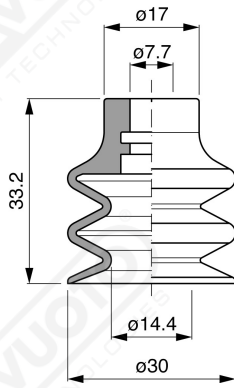


Art. VSSC 15



Art. VSSC 20

Special suction-cup holders



Art. VSSC 30