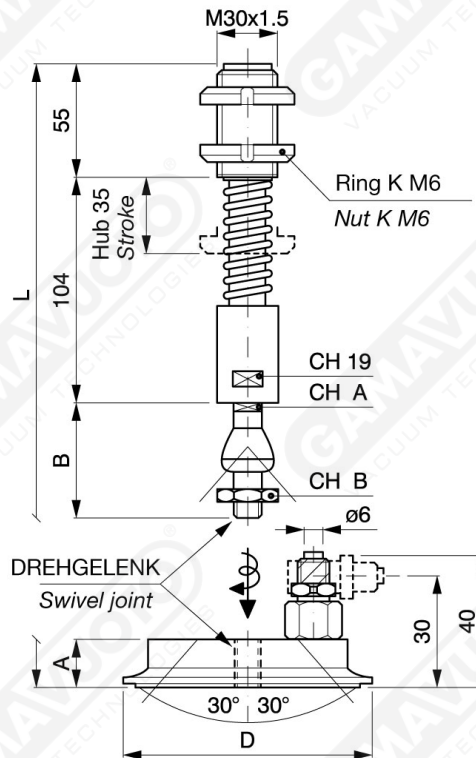


Magnum suction-cup holder with swivel joint



They come with the same technical / mechanical characteristics as the normal Magnum suction-cup holders, but come with an aligning probe with aspherical swivel joint, which allows the sucker to also grip onto an inclined surface. The structure of the Magnum allow seven heavy weights to be lifted.

Rapid "L" shaped joint for plastic tubes diameter 6x8 = art. PMSD.....L



Art. PMSD 250/350

Art.	A	B	D	L	Swivel joint	A CH	B CH
PMSD 250	45	88	255	292	16 x 1.5	22	24
PMSD 300	45	88	285	292	16 x 1.5	22	24

NB: the suction cups and disc are supplied on request, specifying the material