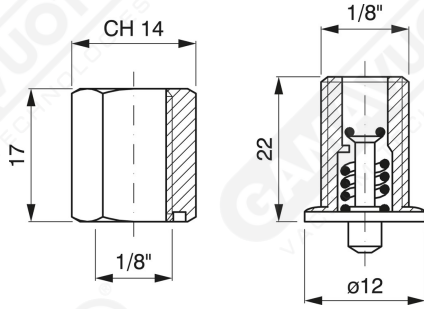
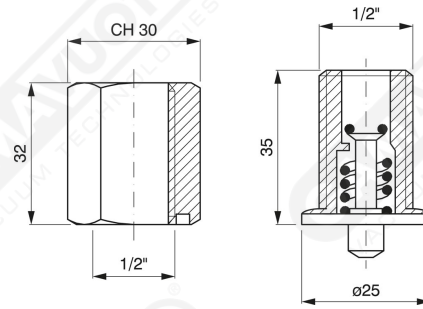


Relief valves for finned suction cup line with support and valve



Art. T. 075



Art. T. 110