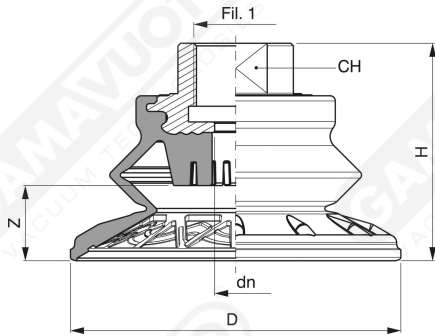
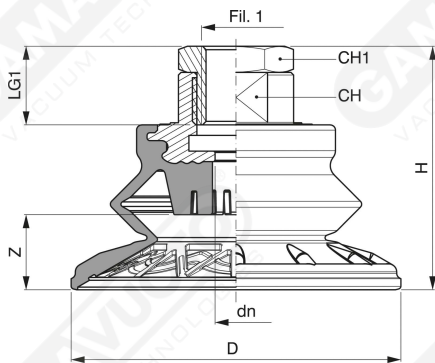


Bellows Elastobrake suction cups



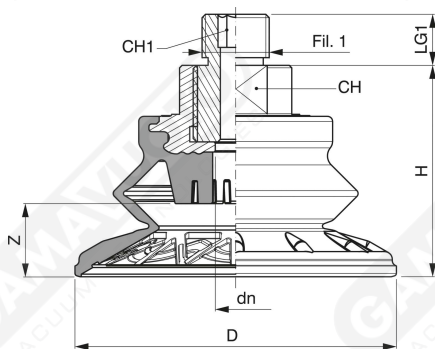
Art. VTBA 25 ÷ 135

Art.	D	dn	Fil.1	H	CH	Z
VTBA 25	25	6	1/4"	25	17	5.8
VTBA 35	35	6	1/4"	28	17	9
VTBA 45	45	6	1/4"	29	17	10
VTBA 55	55	8	3/8"	37	22	11.5
VTBA 65	65	8	3/8"	41.5	22	14.5
VTBA 85	85	8	3/8"	50	22	22
VTBA 105	105	8	3/8"	57	22	26
VTBA 135	135	10	3/8"	69.7	22	32



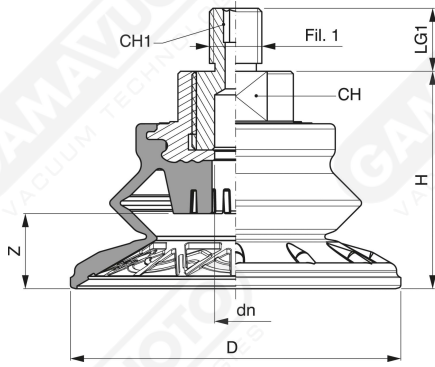
Art. VTBB 25 ÷ 135

Art.	D	dn	Fil.1	H	LG1	CH	CH1	Z
VTBB 25	25	6	3/8"	41	9.5	17	22	5.8
VTBB 35	35	6	3/8"	44	9.5	17	22	9
VTBB 45	45	6	3/8"	44	9.5	17	22	10
VTBB 55	55	8	1/4"	42	15	22	19	11.5
VTBB 65	65	8	1/4"	46.5	15	22	19	14.5
VTBB 85	85	8	1/4"	55	15	22	19	22
VTBB 105	105	8	1/4"	62	15	22	19	26
VTBB 135	135	10	1/4"	74.7	15	22	19	32



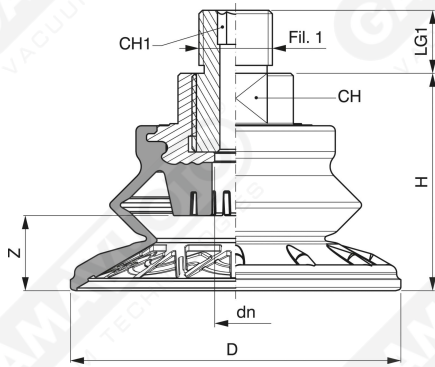
Art. VTBC 25 ÷ 135

Art.	D	dn	Fil.1	H	LG1	CH	CH1	Z
VTBC 25	25	6	1/4"	25	10	17	6	5.8
VTBC 35	35	6	1/4"	28	10	17	6	9
VTBC 45	45	6	1/4"	29	10	17	6	10
VTBC 55	55	8	1/4"	37	10	22	6	11.5
VTBC 65	65	8	1/4"	41.5	10	22	6	14.5
VTBC 85	85	8	1/4"	50	10	22	6	22
VTBC 105	105	8	1/4"	57	10	22	6	26
VTBC 135	135	10	1/4"	69.7	10	22	6	32



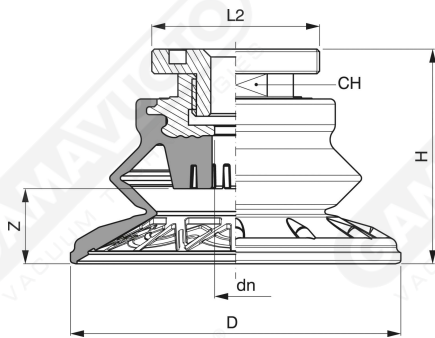
Art. VTBD 25 ÷ 135

Art.	D	dn	Fil.1	H	LG1	CH	CH1	Z
VTBD 25	25	6	M10	25	12	17	4	5.8
VTBD 35	35	6	M10	28	12	17	4	9
VTBD 45	45	6	M10	29	12	17	4	10
VTBD 55	55	8	M10	37	12	22	4	11.5
VTBD 65	65	8	M10	41.5	12	22	4	14.5
VTBD 85	85	8	M10	50	12	22	4	22
VTBD 105	105	8	M10	57	12	22	4	26
VTBD 135	135	10	M10	69.7	12	22	4	32



Art. VTBE 25 ÷ 135

Art.	D	dn	Fil.1	H	LG1	CH	CH1	Z
VTBE 25	25	6	M14x1.5	25	12	17	6	5.8
VTBE 35	35	6	M14x1.5	28	12	17	6	9
VTBE 45	45	6	M14x1.5	29	12	17	6	10
VTBE 55	55	8	M14x1.5	37	12	22	6	11.5
VTBE 65	65	8	M14x1.5	41.5	12	22	6	14.5
VTBE 85	85	8	M14x1.5	50	12	22	6	22
VTBE 105	105	8	M14x1.5	57	12	22	6	26
VTBE 135	135	10	M14x1.5	69.7	12	22	6	32



Art. VTBF 25 ÷ 135

Art.	D	dn	H	CH	L2	Z
VTBF 25	25	6	28.2	17	32	5.8
VTBF 35	35	6	31.2	17	32	9
VTBF 45	45	6	31.2	17	32	10
VTBF 55	55	8	36.5	22	32	11.5
VTBF 65	65	8	41	22	32	14.5
VTBF 85	85	8	49.5	22	32	22
VTBF 105	105	8	56.5	22	32	26
VTBF 135	135	10	69.2	22	32	32