

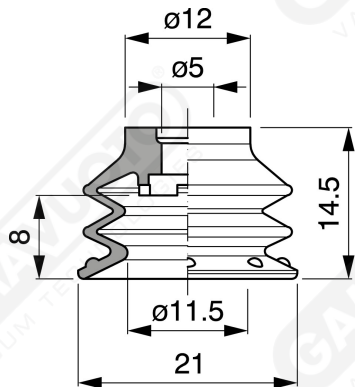
Bellows suction cups VFX series 20



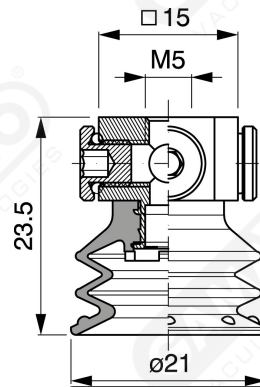
Suction cups made of G-FLEX material based on polyurethane which have the characteristic of having two different hardnesses:

- Lip softer to 30 shore, and then with a great prehensility even on products relatively difficult because of their porosity, such as.
- Paper and cardboard and bellows 60 shore conferring durability and responsive speed to the suction cup.

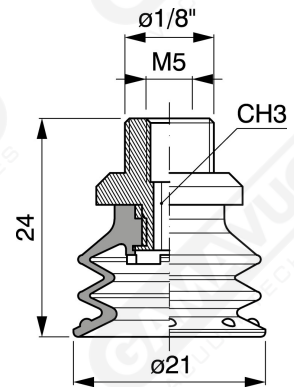
As regards available fittings, there is the possibility to integrate a filter made of stainless steel and the check-valve to control vacuum flow.



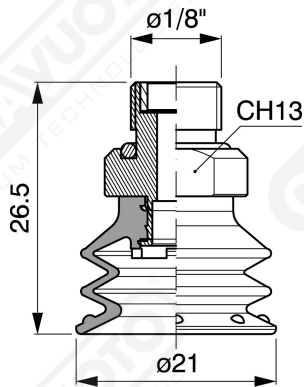
Art. VFX 20 35



Art. VFX 20 00



Art. VFX 20 20



Art. VFX 20 60 ÷ 64

Art. VFX 20 60

with filter

Art. VFX 20 61

with filter and check valve

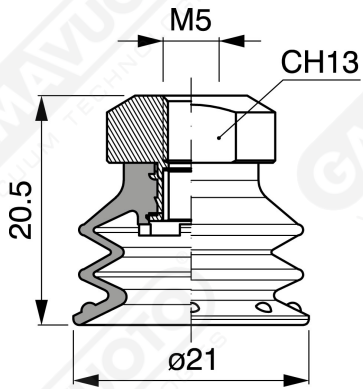
Art. VFX 20 63

without filter

Art. VFX 20 64

with check valve without filter

F-LINE suction cups VFX series



Art. VFX 20 90

with filter

Art. VFX 20 91

with check valve

Art. VFX 20 93

without filter

Art. VFX 20 90 ÷ 93