

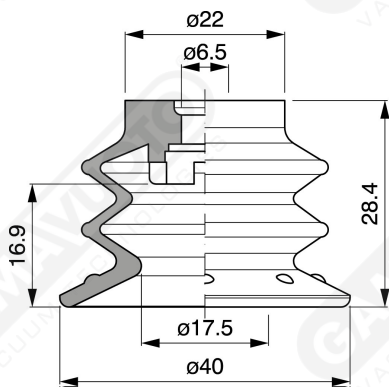
Bellows suction cups VFX series 40



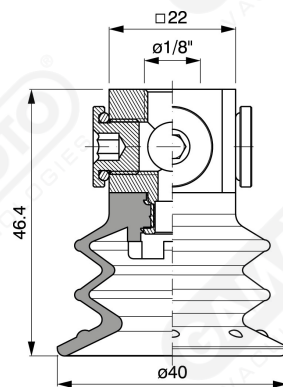
Suction cups made of G-FLEX material based on polyurethane which have the characteristic of having two different hardnesses:

- Lip softer to 30 shore, and then with a great prehensility even on products relatively difficult because of their porosity, such as.
- Paper and cardboard and bellows 60 shore conferring durability and responsive speed to the suction cup.

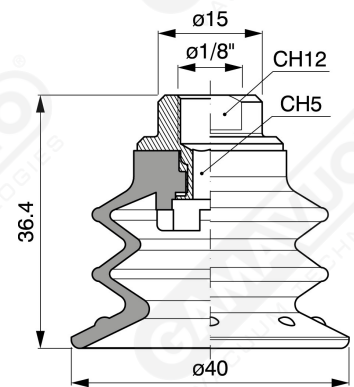
As regards available fittings, there is the possibility to integrate a filter made of stainless steel and the check-valve to control vacuum flow.



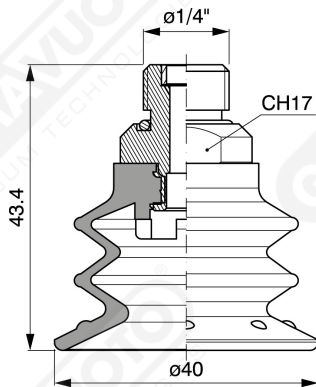
Art. VFX 40 35



Art. VFX 40 00



Art. VFX 40 20



Art. VFX 40 70 ÷ 74

Art. VFX 40 70

with filter

Art. VFX 40 71

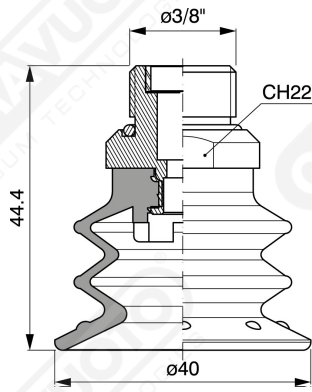
with filter and check valve

Art. VFX 40 73

without filter

Art. VFX 40 74

with check valve without filter



Art. VFX 40 80

with filter

Art. VFX 40 81

with filter and check valve

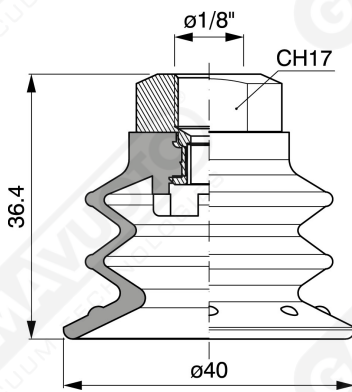
Art. VFX 40 83

without filter

Art. VFX 40 84

with check valve without filter

Art. VFX 40 80 ÷ 84



Art. VFX 40 90

with filter

Art. VFX 40 91

with check valve

Art. VFX 40 93

without filter

Art. VFX 40 90 ÷ 93