

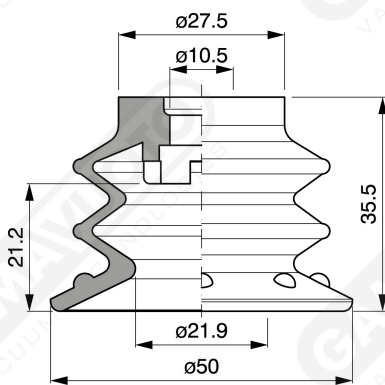
Bellows suction cups VFX series 50



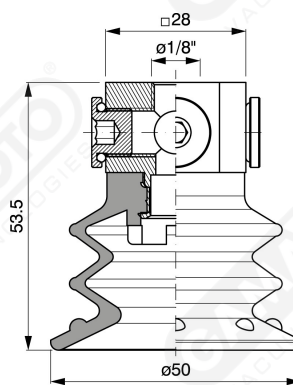
Suction cups made of G-FLEX material based on polyurethane which have the characteristic of having two different hardnesses:

- Lip softer to 30 shore, and then with a great prehensility even on products relatively difficult because of their porosity, such as.
- Paper and cardboard and bellows 60 shore conferring durability and responsive speed to the suction cup.

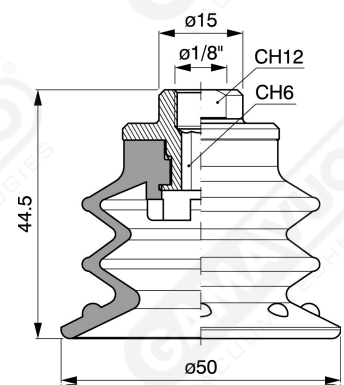
As regards available fittings, there is the possibility to integrate a filter made of stainless steel and the check-valve to control vacuum flow.



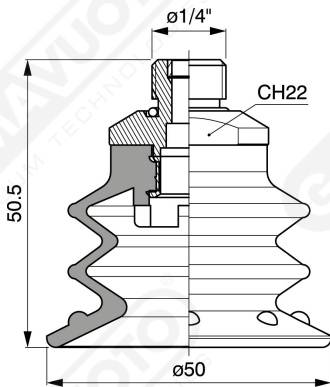
Art. VFX 50 35



Art. VFX 50 00



Art. VFX 50 20



Art. VFX 50 70 ÷ 74

Art. VFX 50 70

with filter

Art. VFX 50 71

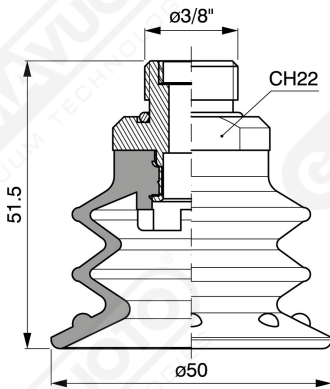
with filter and check valve

Art. VFX 50 73

without filter

Art. VFX 50 74

with check valve without filter



Art. VFX 50 80 ÷ 84

Art. VFX 50 80

with filter

Art. VFX 50 81

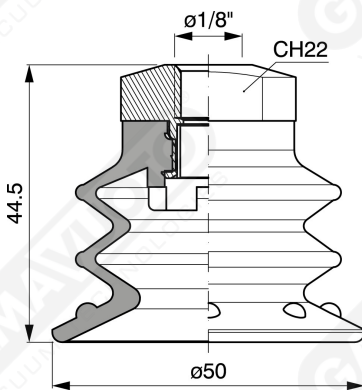
with check valve without filter

Art. VFX 50 83

without filter

Art. VFX 50 84

with check valve without filter



Art. VFX 50 90 ÷ 93

Art. VFX 50 90

with filter

Art. VFX 50 91

with check valve

Art. VFX 50 93

without filter