



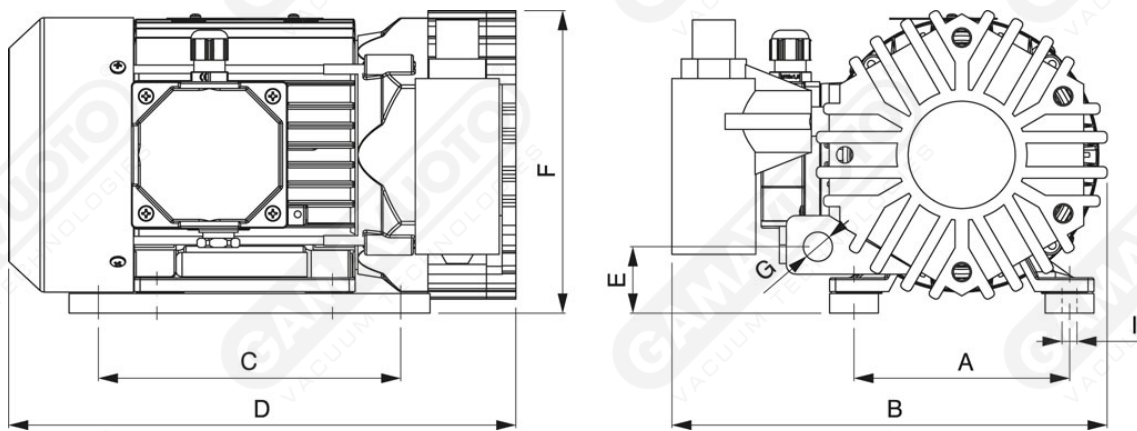
Vacuum pumps without lubrication - 6-10 mc/h

Characteristics

Gamavuoto 6 and 10 m³/h oil-less pumps do not require lubrication thanks to the use of vanes and covers in special graphite and they strongly reduce maintenance operations since no topping up is required. Equipped with silencers which strongly reduce the noise level, these pumps can also be requested with a single-phase motor.

Installation

Connect up the vacuum circuit. Set up the electrical connections to the motor and check that the pump is rotating in the right direction. **WARNING!** If the electrical motor rotates in the wrong direction, the suction unit could be damaged.



Art. GPOS 6/10

Art.	Vacuum flow		Final pressure ABS mbar (ass.)	Rpm		Motor power		Weight kg	A	B	C	D	F	G	I
	50 Hz Mc/h	60 Hz Mc/h		50 Hz g/min	60 Hz g/min	50 Hz Kw	60 Hz Kw								
GPOS 6	6	7.2	100	1450	1700	0.25	0.30	12	115	210	155	270	155	1/4"	8.5
GPOS 10	10	12	100	1450	1700	0.37	0.44	14	115	185	155	290	155	3/8"	8.5