

Vacuum pumps with lubrication - 2-4 mc/h

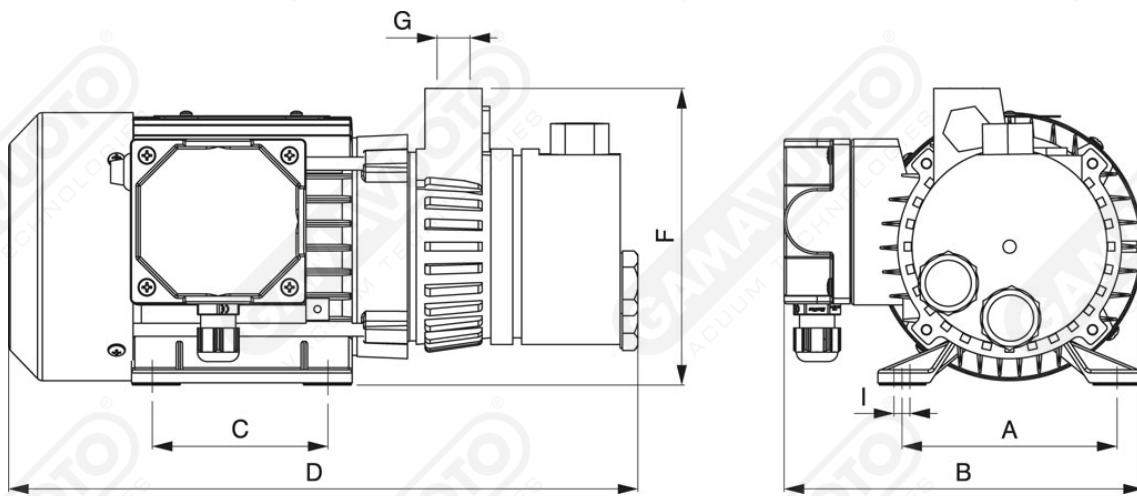
Characteristics

Gamavuoto 2 and 4m³/h lubricated vacuum pumps are characterized by a very simple design, by a strong, compact body and by a simple but efficient air cooling system.

They require only the bare minimum of maintenance since the recycling lubrication allows the oil to be changed or topped up only according to the actual operating times.

Installation

Connect up the vacuum circuit. Set up the electrical connections to the motor and check that the pump is rotating in the right direction. **WARNING!** If the electrical motor rotates in the wrong direction, the suction unit could be damaged.



Art. GPOL 2/4

Art.	Vacuum flow		Final pressure ABS mbar/ass	Rpm		Motor power		Weight kg	A	B	C	D	F	G	I	Oil viscosity
	50 Hz Mc/h	60 Hz Mc/h		50 Hz g/min	60 Hz g/min	50 Hz Kw	60 Hz Kw									
GPOL 2	2	2.4	140	2900	3300	0.12	0.14	5	90	145	71	260	125	1/4"	6.5	ISO 32
GPOL 4	4	4.8	140	2900	3300	0.18	0.22	7	100	160	81	285	135	3/8"	6.5	