



Vacuum pumps with lubrication G series - 5-10 mc/h

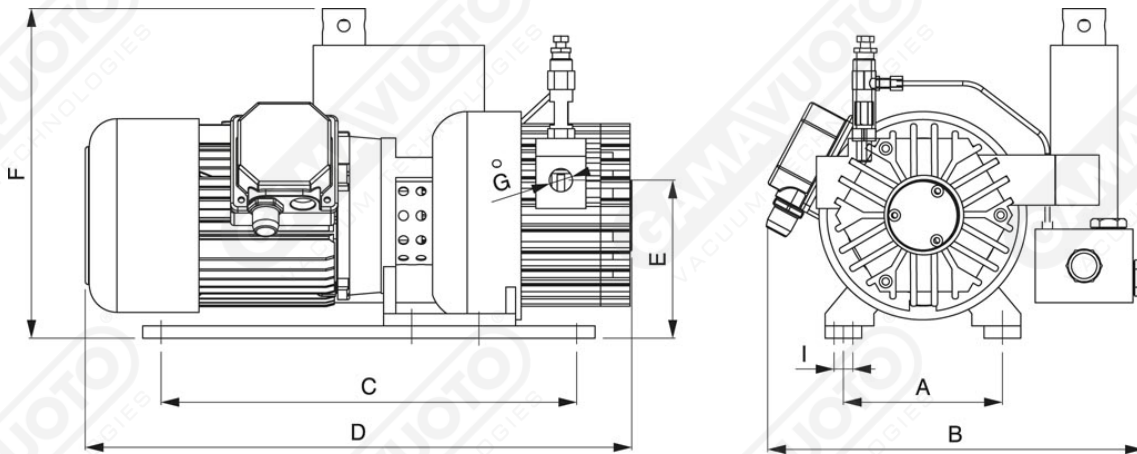
Characteristics

Gamavuto 5 and 10 m³/h lubricated vacuum pumps are characterized by a very simple design, by a strong, compact body and by a simple but efficient air cooling system. In the "G" series the electric motor is connected to the body of the pump through a flexible connector and this allows the use of different kind of motors. Equipped with silencers which strongly reduce the noise level, these pumps can also be requested with a single-phase motor. They require only the bare minimum of maintenance since the recycling lubrication allows the oil to be changed or topped up only according to the actual operating times.

Installation

Connect up the vacuum circuit. Set up the electrical connections to the motor and check that the pump is rotating in the right direction.

WARNING! If the electrical motor rotates in the wrong direction, the suction unit could be damaged.



Art. GPOL 5/10/15/20 G

Art.	Vacuum flow		Final pressure ABS mbar/ass	Rpm		Motor power		Weight kg	A	B	C	D	E	F	G	I	Oil viscosity
	50 Hz Mc/h	60 Hz Mc/h		50 Hz g/min	60 Hz g/min	50 Hz Kw	60 Hz Kw										
GPOL 5/G	5	6	75	1450	1700	0.25	0.30	14	130	250	340	410	130	245	3/8"	8.5	ISO 32
GPOL 10/G	10	12	75	1450	1700	0.37	0.66	24	130	300	340	430	130	270	1/2"	8.5	
GPOL 15/G	15	18	65	1450	1700	0.55	0.66	27	130	300	340	450	130	270	1/2"	8.5	ISO 100
GPOL 20/G	20	24	65	1450	1700	0.55	1	31	130	300	340	470	130	285	1/2"	8.5	