



Vacuum pumps with lubrication without recirculation - 5-10 mc/h

Characteristics

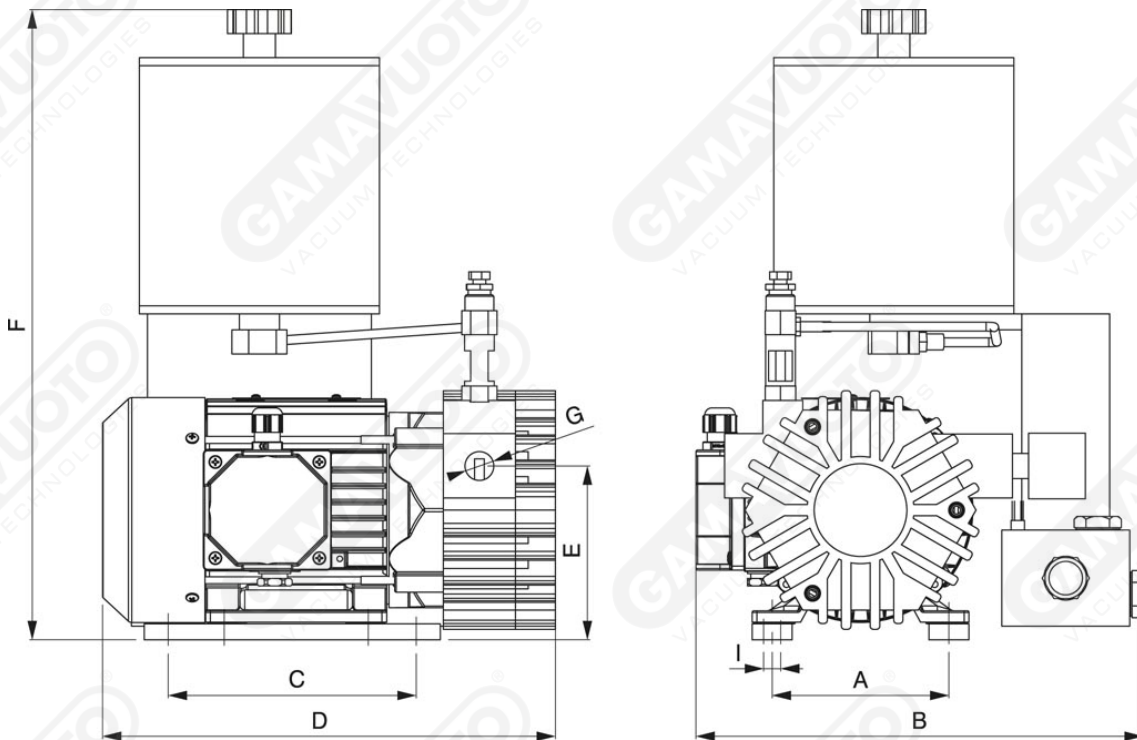
Gamavuoto 5 and 10 m³/h lubricated vacuum pumps are characterized by a very simple design, by a strong, compact body and by a simple but efficient air cooling system.

In this version of the pump, the lubricant is in a transparent tank placed at the top and is equipped with a level switch which allows managing the possible lack of oil, which, once used for the normal process lubricant, is accumulated in the tank located below the discharge / silencer of the pump and is no longer put back into circulation, thus preventing any impurities (dust, liquids, etc.) not retained by the main filter during intake from accumulating and causing performance deterioration.

Installation

Connect up to the vacuum circuit. Set up the electrical connections to the motor and check that the pump is rotating in the right direction.

WARNING! If the electrical motor rotates in the wrong direction, the suction unit could be damaged.



Art. GPOL 5/10 LP

Art.	Vacuum flow		Final pressure ABS mbar/ass	Rpm		Motor power		Weight kg	A	B	C	D	E	F	G	I	Oil viscosity
	50 Hz Mc/h	60 Hz Mc/h		50 Hz g/min	60 Hz g/min	50 Hz Kw	60 Hz Kw										
GPOL 5 LP	5	6	75	1450	1700	0.25	0.30	15	115	245	155	260	120	410	3/8"	8.5	ISO 32
GPOL 10 LP	10	12	75	1450	1700	0.37	0.44	21	115	265	155	310	120	410	1/2"	8.5	ISO 100