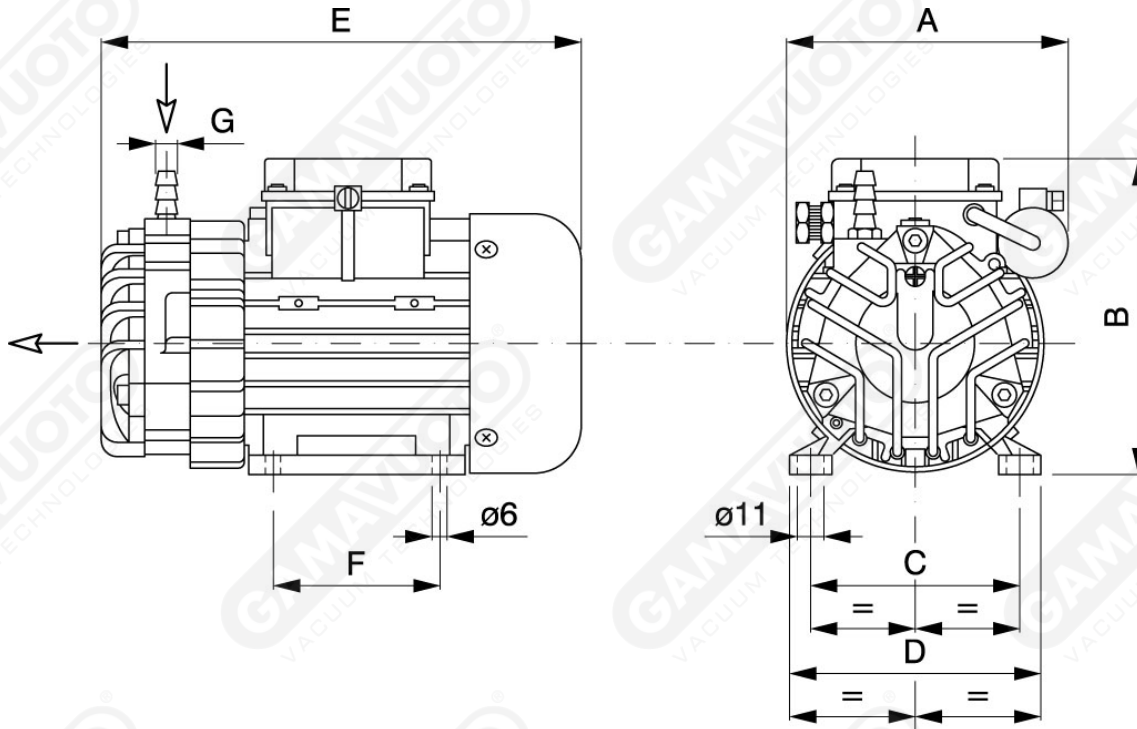




Vacuum pumps without lubrication GPZS 5



Art. GPZS 5

| Art. | Vacuum flow | | Final pressure ABS mbar (ass.) | Rpm | | Motor power | | Weight kg | A | B | C | D | E | F | G |
|---------------|---------------|---------------|-----------------------------------|----------------|----------------|-------------|-------------|--------------|-----|-----|----|-----|-----|----|------|
| | 50 Hz Mc/h | 60 Hz Mc/h | | 50 Hz g/min | 60 Hz g/min | 50 Hz Kw | 60 Hz Kw | | | | | | | | |
| GPZS 5 | 5 | 6 | 120 | 2800 | 3300 | 0.12 | 0.15 | 5.4 | 139 | 138 | 90 | 108 | 226 | 71 | 1/8" |