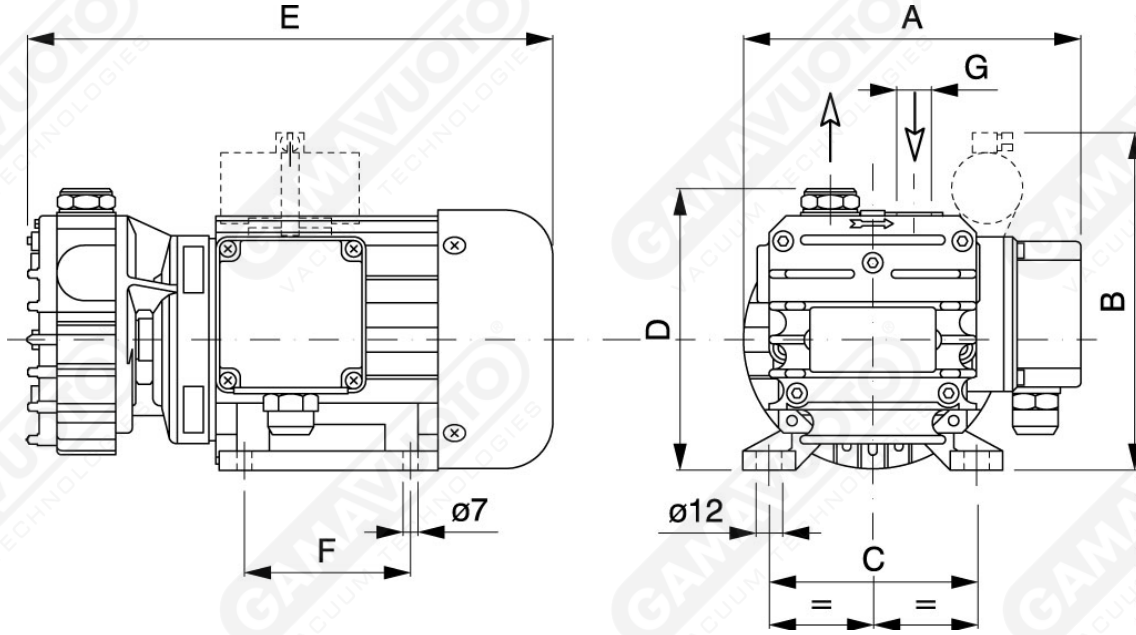
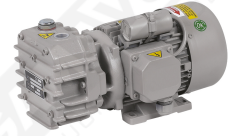


Vacuum pumps without lubrication GPZS 10



Art. GPZS 10

Art.	Vacuum flow		Final pressure ABS mbar (ass.)	Rpm		Motor power		Weight kg	A	B	C	D	E	F	G
	50 Hz Mc/h	60 Hz Mc/h		50 Hz g/min	60 Hz g/min	50 Hz Kw	60 Hz Kw								
GPZS 10	10	12	120	1400	1700	0.37	0.45	15.5	182	174	112	163	304	90	1/2"