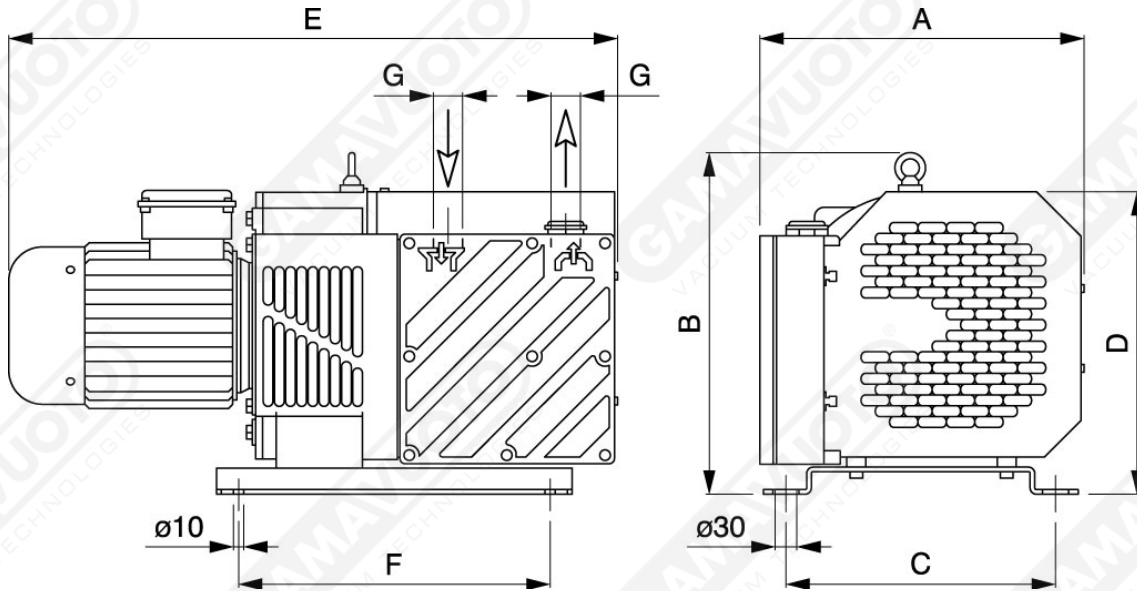


Vacuum pumps without lubrication GPZS 60-140



Art. GPZS 60/80/100/130

Art.	Vacuum flow		Final pressure ABS mbar (ass.)	Rpm		Motor power		Weight kg	A	B	C	D	E	F	G
	50 Hz Mc/h	60 Hz Mc/h		50 Hz g/min	60 Hz g/min	50 Hz Kw	60 Hz Kw								
GPZS 60	60	70	120	1400	1700	1.5	1.8	66	363	382	305	341	692	348	1"
GPZS 80	80	90	120	1400	1700	2.2	2.7	71	363	382	305	348	722	348	1"
GPZS 100	100	115	120	1400	1700	3.3	3.7	87	363	382	305	348	820	348	1-1/2"
GPZS 140	130	150	120	1400	1700	4	4.4	95	363	382	305	362	820	348	1-1/2"