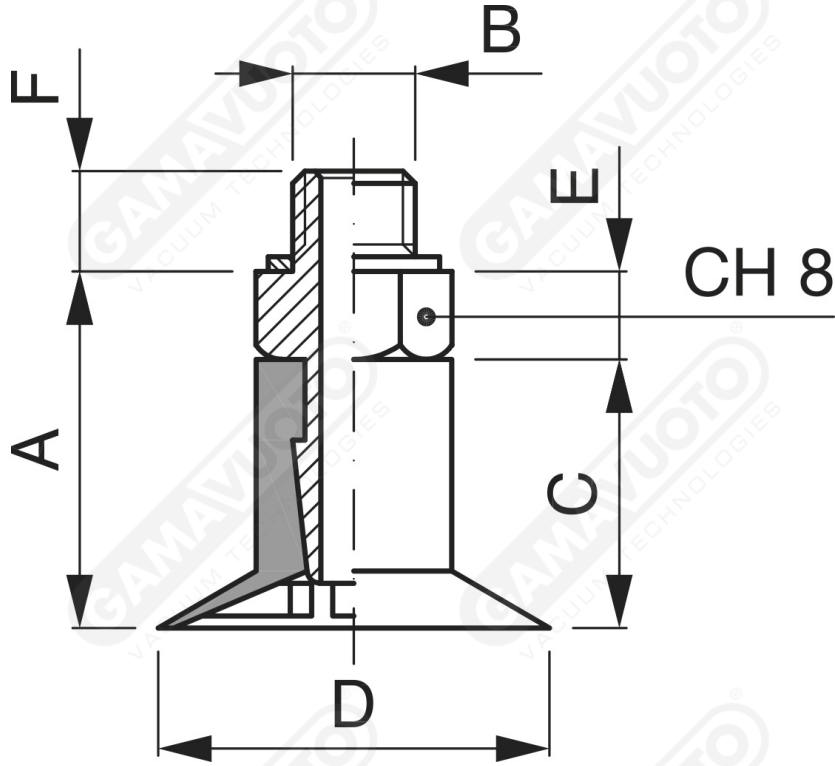


Finned flat suction cups AM series with support



Art. AM 15 40

Art =	S. cupSaugn.	+ Support+ Stütze	A	B	C	D	E	F
AM 15 40	AM 15 45	+ SUM 41	15.5	5 MA	11	16.5	4	5.5