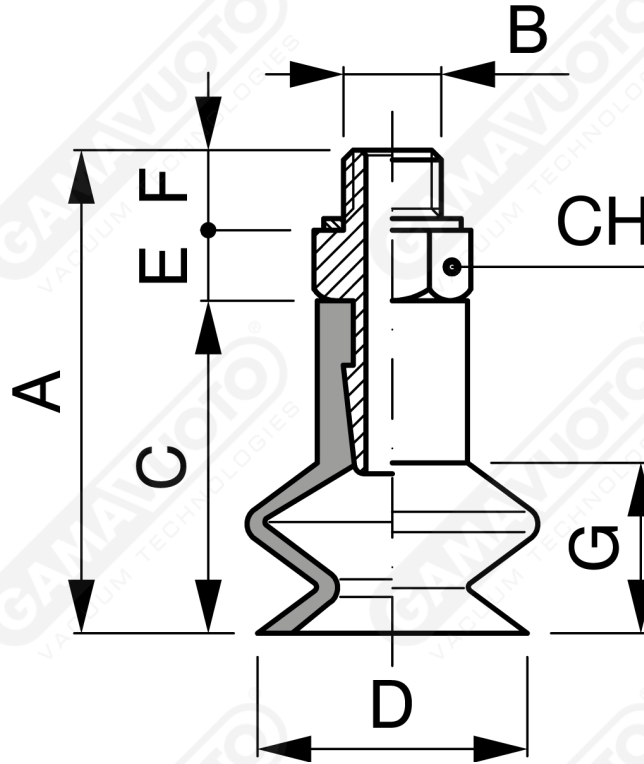


Bellows suction cups BM series with support



Art. BM 05 ÷ 16

Art =	S. cup	+ Support		A	B	C	D	E	F	G
BM 05 30	BM 05 35	+ SUM 40	7	18	5 MA	9	5.5	4.5	4.5	3
BM 08 30	BM 08 35	+ SUM 40	7	21.5	5 MA	12.5	8.5	4.5	4.5	5.5
BM 11 30V	BM 11 35V	+ SUM 41	8	26	5 MA	17	11	4.5	4.5	7
BM 11 30	BM 11 35	+ SUM 41	8	26	5 MA	17	11	4.5	4.5	7
BM 16 30	BM 16 35	+ SUM 41	8	29	5 MA	20	16	4.5	4.5	10