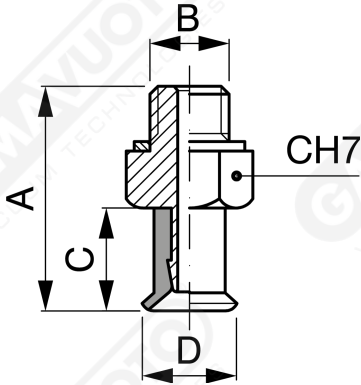
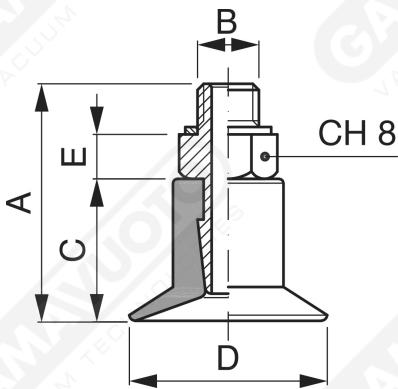


**Non-finned flat suction cup CM Series with support**



**Art. CM 05/07/09 10**

Art =	S. cup	+ Support	A	B	C	D
<b>CM 05 10</b>	CM 05 15	+ SUM 40	13.5	5 MA	6	5
<b>CM 07 10</b>	CM 07 15	+ SUM 40	14	5 MA	6.5	7
<b>CM 09 10</b>	CM 09 15	+ SUM 40	14.5	5 MA	7	9



**Art. CM 11/16 10**

Art =	S. cup	+ Support	A	B	C	D
<b>CM 11 10</b>	CM 11 15	+ SUM 41	19	5 MA	10.5	11
<b>CM 16 10</b>	CM 16 15	+ SUM 41	20	5 MA	11.5	16.5