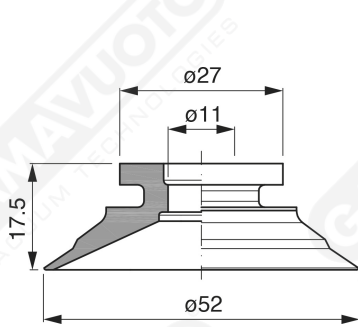
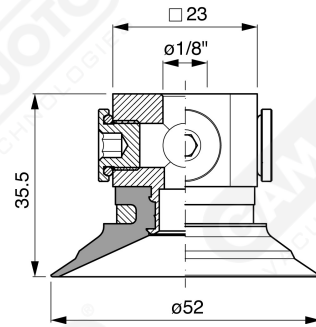


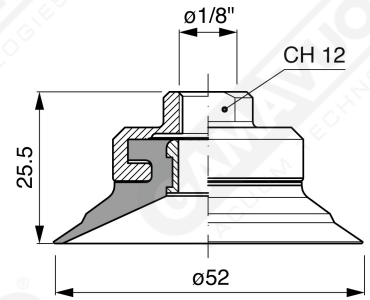
Non-finned flat suction cup CF 50 Series



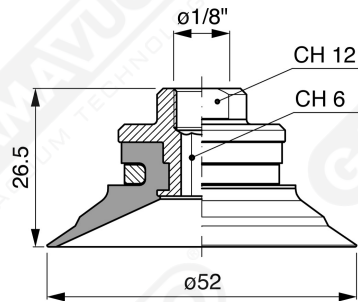
Art. CF 50 15



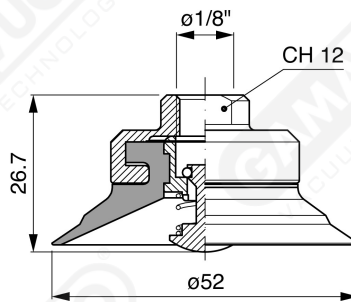
Art. CF 50 00



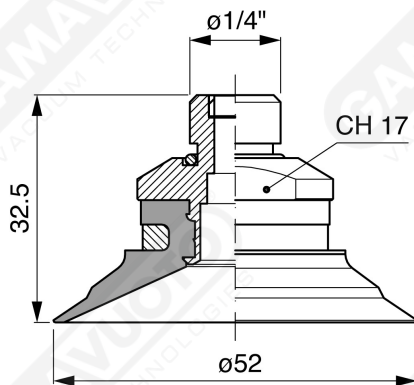
Art. CF 50 10



Art. CF 50 20



Art. CF 50 50



Art. CF 50 70/71/73/74

Art. CF 50 70

with filter

Art. CF 50 71

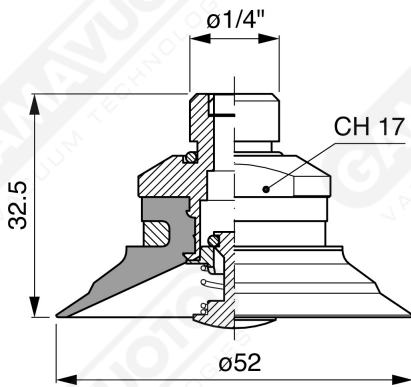
with filter and check valve

Art. CF 50 73

without filter

Art. CF 50 74

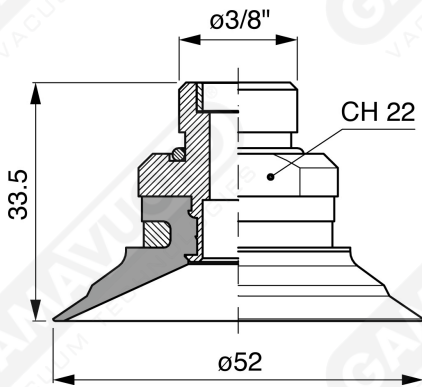
with check valve without filter



Art. CF 50 72
with relief valve and filter

Art. CF 50 75
with relief valve without filter

Art. CF 50 72/75



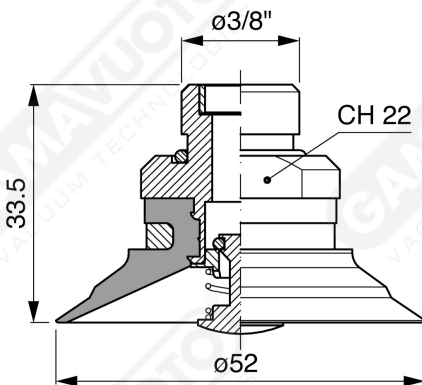
Art. CF 50 80
with filter

Art. CF 50 81
with filter and check valve

Art. CF 50 83
without filter

Art. CF 50 84
with check valve without filter

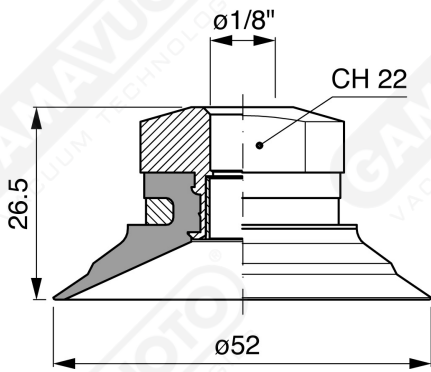
Art. CF 50 80/81/83/84



Art. CF 50 82
with relief valve and filter

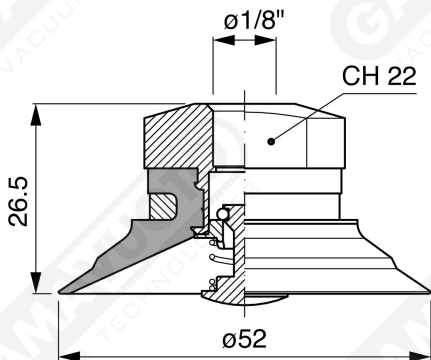
Art. CF 50 85
with relief valve without filter

Art. CF 50 82/85



- Art. CF 50 90**
with filter
- Art. CF 50 91**
with check valve
- Art. CF 50 93**
without filter

Art. CF 50 90/91/93/94



- Art. CF 50 92**
with relief valve and with filter
- Art. CF 50 95**
with relief valve without filter

Art. CF 50 92/95