

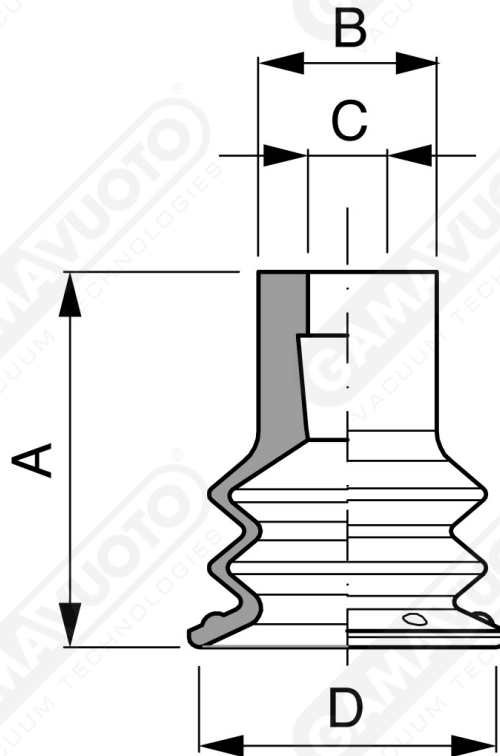
Bellows suction cups VFX 10 - 15 Series without support



Suction cups made of G-FLEX material based on polyurethane which have the characteristic of having two different hardnesses:

- Lip softer to 30 shore, and then with a great prehensility even on products relatively difficult because of their porosity, such as.
- Paper and cardboard and bellows 60 shore conferring durability and responsive speed to the suction cup.

As regards available fittings, there is the possibility to integrate a filter made of stainless steel and the check-valve to control vacuum flow.



Art. VFX 10 35 - VFX 15 35

Art.	A	B	C	D
VFX 10 35	17	9	4	10
VFX 15 35	19	9	4	15