

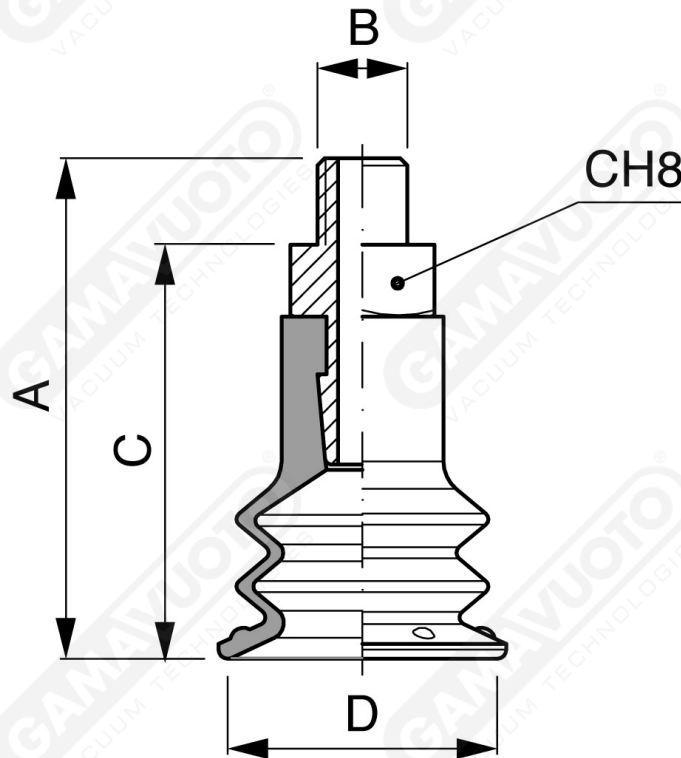
Bellows suction cups VFX 15 Series with support



Suction cups made of G-FLEX material based on polyurethane which have the characteristic of having two different hardnesses:

- Lip softer to 30 shore, and then with a great prehensility even on products relatively difficult because of their porosity, such as.
- Paper and cardboard and bellows 60 shore conferring durability and responsive speed to the suction cup.

As regards available fittings, there is the possibility to integrate a filter made of stainless steel and the check-valve to control vacuum flow.



Art. VFX 10 30 - 15 30

Art =	S. cup	+ Supp. Ext.	A	B	C	D
VFX 10 30	VFX 10 35	SUM 41	25.8	5 MA	21	10
VFX 15 30	VFX 15 35	SUM 41	27.8	5 MA	23	15