

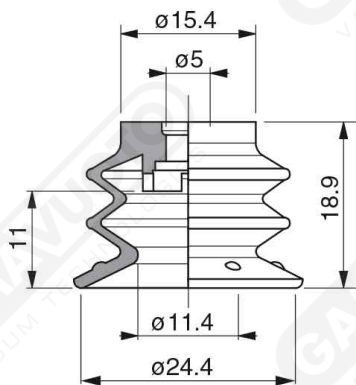
## Bellows suction cups VFX 25 Series



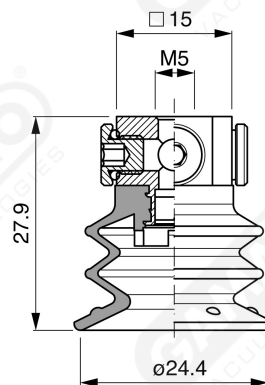
Suction cups made of G-FLEX material based on polyurethane which have the characteristic of having two different hardnesses:

- Lip softer to 30 shore, and then with a great prehensility even on products relatively difficult because of their porosity, such as.
- Paper and cardboard and bellows 60 shore conferring durability and responsive speed to the suction cup.

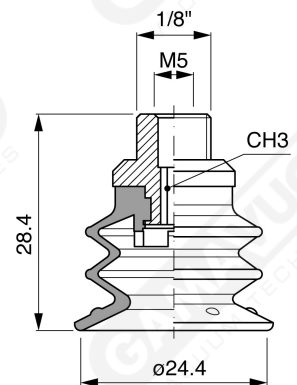
As regards available fittings, there is the possibility to integrate a filter made of stainless steel and the check-valve to control vacuum flow.



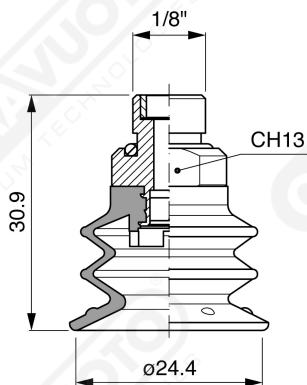
**Art. VFX 25 35**



**Art. VFX 25 00**



**Art. VFX 25 20**



**Art. VFX 25 60 ÷ 64**

**Art. VFX 25 60**

with filter

**Art. VFX 25 61**

with filter and check valve

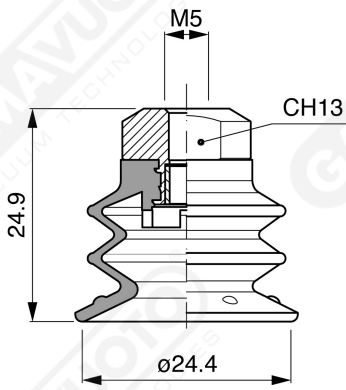
**Art. VFX 25 63**

without filter

**Art. VFX 25 64**

with check valve without filter

F-LINE suction cups VFX series



**Art. VFX 25 90**

with filter

**Art. VFX 25 91**

with check valve

**Art. VFX 25 93**

without filter

**Art. VFX 25 90 ÷ 93**