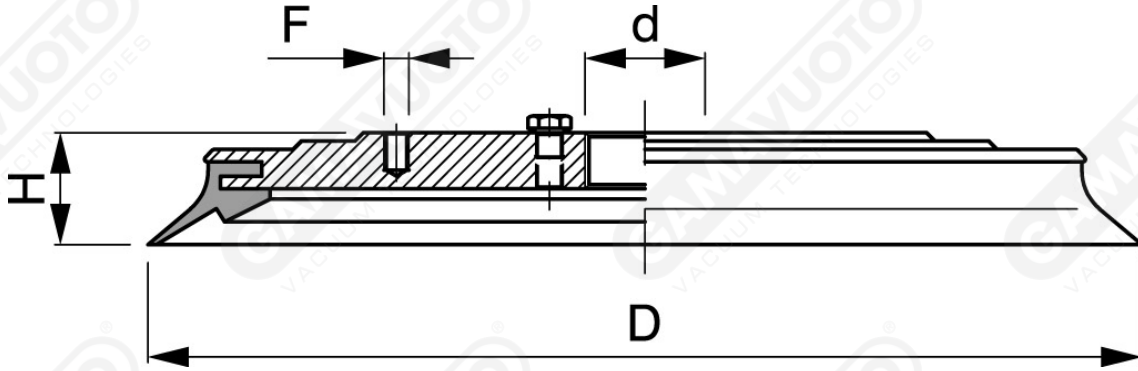


Disc suction cup VP 240-350 Series with support



Art. VP 240/350 40

Art.	D	d	H	F
VP 240 40	240	3/4"	27	M8
VP 350 40	350	3/4"	31	M8