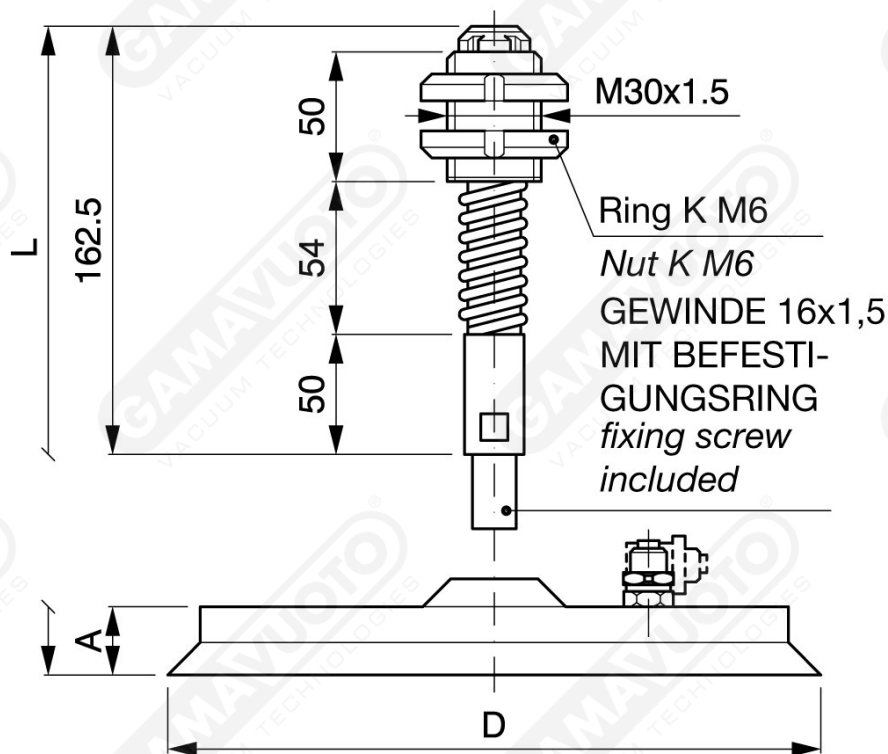




## Magnum suction-cup holders simple

These are particularly solid and robust components for carrying out high volume work, also in very difficult conditions. Their special features include a nickel-plated steel rod, a pre-lubricated brass ring joint with a tight seal, one or two stainless steel springs, and a rapid straight or "L" shaped joint for connection to the suction tube. For suction cups VDUS 250 and 300, the aluminium or steel supports are fixed to the suction cup itself.

Rapid straight or "L" shaped joint for plastic tube diameter 8x10 = Art. PMD.....L



**Art. PMD 250/300**

Art.	A	D	L
PMD 250	45	255	207.5
PMD 300	45	285	207.5

NB: The suction cups are supplied on request, specifying the material.