

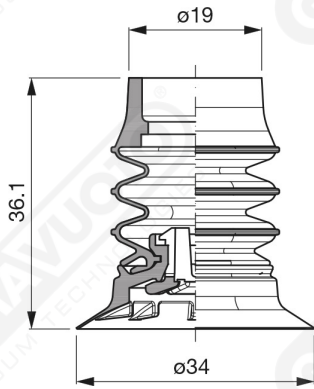
**Bellows suction cups VES 34 series**



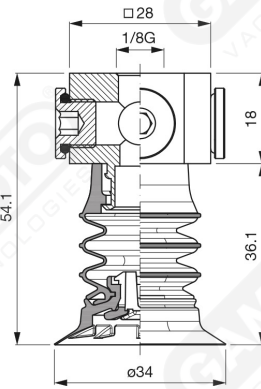
VES series suction cups are designed to be the best solution for the handling of plastic bags and other materials.

They consist of two separate parts assembled together. The soft silicone lip guarantees an excellent grip on the deformable surfaces, while the body, with bellows of higher hardness, guarantees excellent resistance to stress.

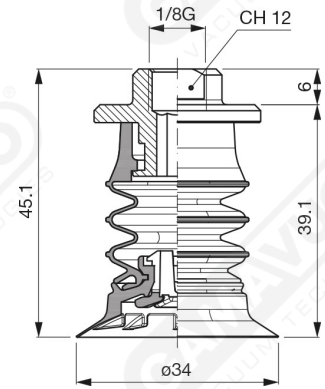
In the available supports, there is the possibility to integrate a stainless steel mesh filter and the self-pressure valve for vacuum flow control.



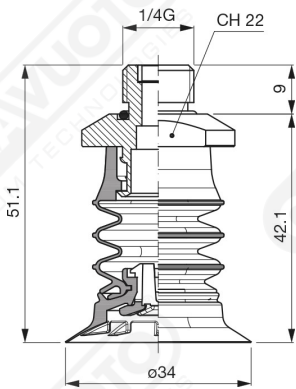
**Art. VES 34 35**



**Art. VES 34 00**



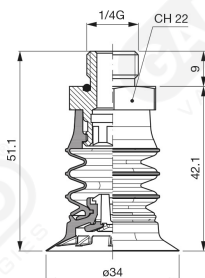
**Art. VES 34 20**



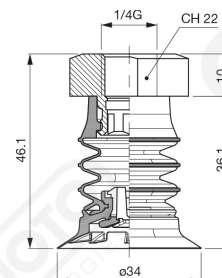
**Art. VES 34 70 ÷ 73**

**Art. VES 34 70**  
with filter

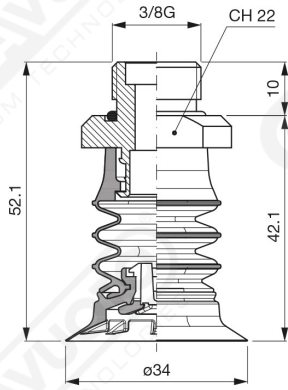
**Art. VES 34 73**  
without filter



**Art. VES 34 74**



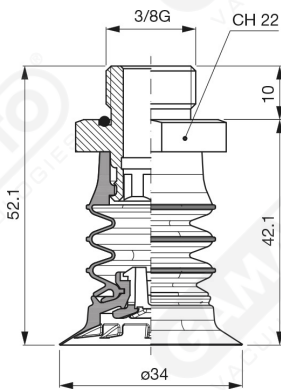
**Art. VES 34 76**



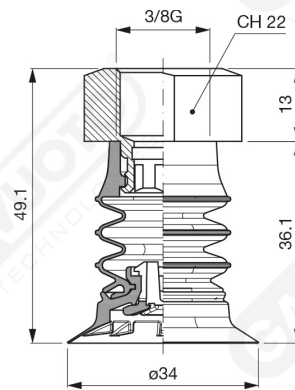
**Art. VES 35 80**  
with filter

**Art. VES 35 83**  
without filter

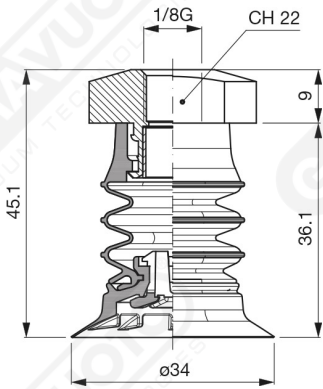
**Art. VES 34 80 ÷ 83**



**Art. VES 34 84**



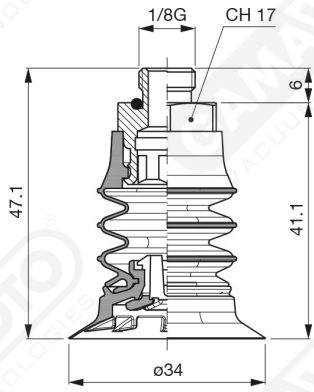
**Art. VES 34 86**



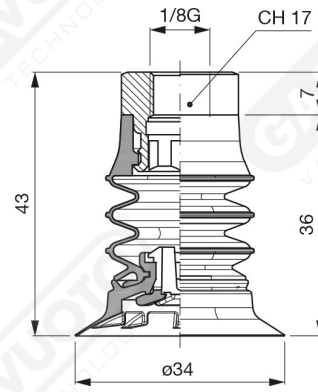
**Art. VES 34 90**  
with filter

**Art. VES 34 93**  
without filter

**Art. VES 34 90 ÷ 93**



**Art. VES 34 94**



**Art. VES 34 96**