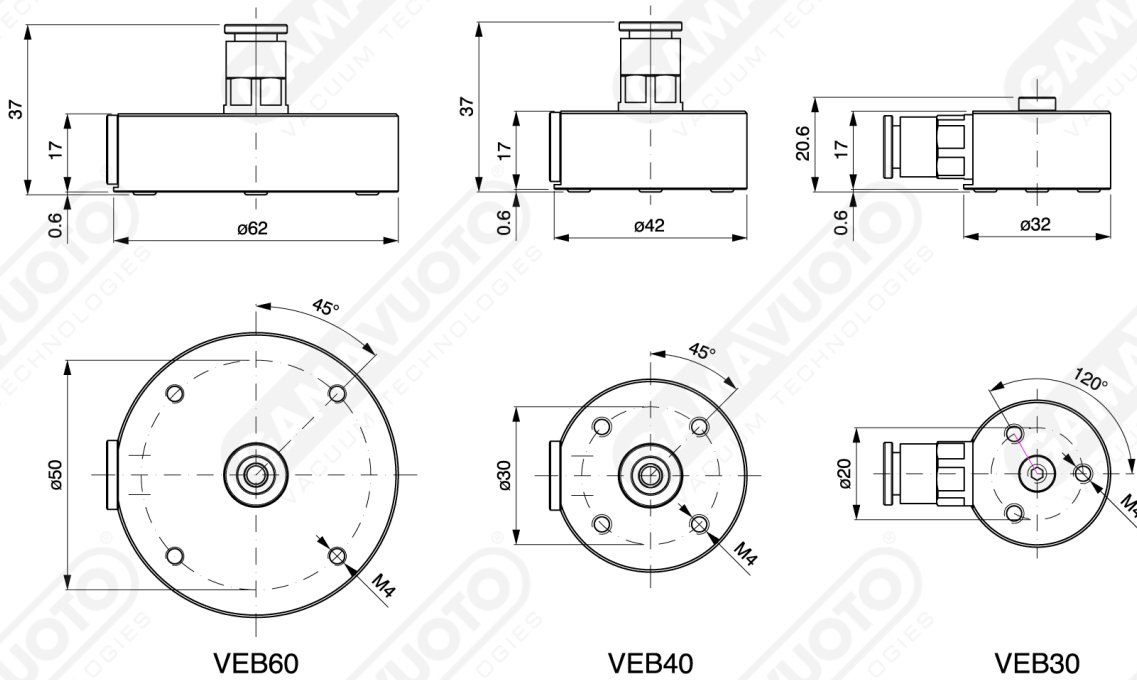


Air Contact suction cups - VEB series



The new suction cups of the VEB series have the feature of generating lifting force thanks to the Bernoulli effect. These suction cups also allow handling of components with a not particularly defined shape, offering thanks to the 3 support points in FDA certified rubber good resistance to vertical handling. They are made of a particular aluminum alloy suitable to fixing of the anodic oxide layer without using harmful substances, making them suitable for food applications.



Art. VEB 30 ÷ 60

Model	1 BAR				2 BAR				3 BAR				4 BAR				5 BAR				6 BAR				7 BAR			
	Limiting force on detachment (gr)	Operating force (gr)	Maximum lateral force (gr.)	Air consumption (Nl/min)	Limiting force on detachment (gr)	Operating force (gr)	Maximum lateral force (gr.)	Air consumption (Nl/min)	Limiting force on detachment (gr)	Operating force (gr)	Maximum lateral force (gr.)	Air consumption (Nl/min)	Limiting force on detachment (gr)	Operating force (gr)	Maximum lateral force (gr.)	Air consumption (Nl/min)	Limiting force on detachment (gr)	Operating force (gr)	Maximum lateral force (gr.)	Air consumption (Nl/min)	Limiting force on detachment (gr)	Operating force (gr)	Maximum lateral force (gr.)	Air consumption (Nl/min)	Limiting force on detachment (gr)	Operating force (gr)	Maximum lateral force (gr.)	Air consumption (Nl/min)
VEB30	100	70	49	67	300	210	147	100	450	315	221	134	600	420	294	167	700	490	343	200	800	560	392	235	800	560	392	267
VEB40	300	210	147	75	430	301	211	112	600	420	294	150	900	630	441	187	1100	770	539	225	1300	910	637	263	1400	980	686	300
VEB60	350	245	172	84	470	329	230	125	650	455	319	167	950	665	466	209	1150	805	564	251	1350	945	662	294	1500	1050	735	334