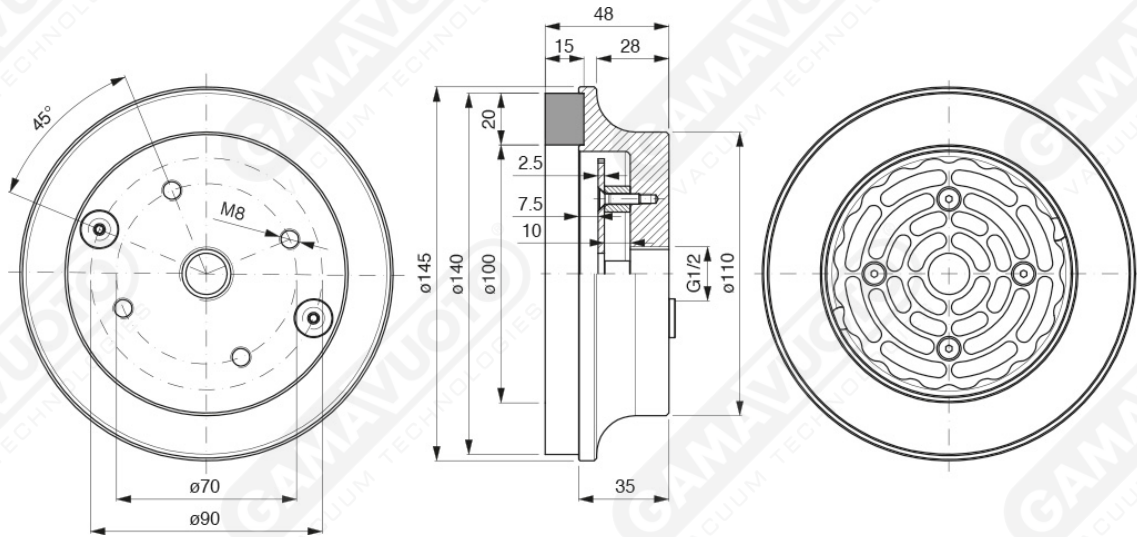


Suction cups - VPM 140 Series



The new suction cup VPM 140 series has been designed for lifting and handling bags. Thanks to the mousse lip, an excellent grip is guaranteed and its internal grid prevents the suction hole from closing, making it particularly suitable for its purpose.



Art. VPM 140