

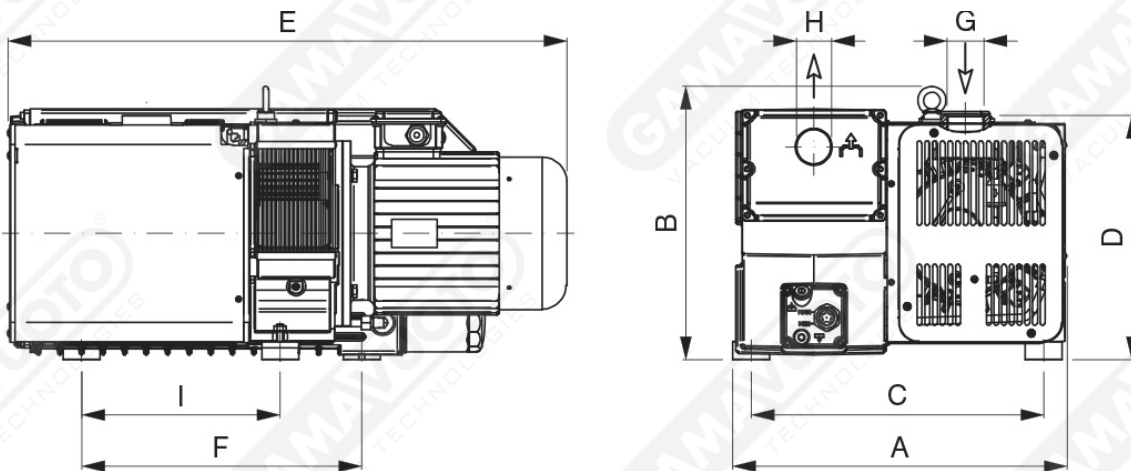


High vacuum vane pumps - 205-305 mc/h

Characteristics

Gamavuoto oil injection single-stage vacuum pumps are the result of many years of experience in the vacuum technology sector, making constant adjustments to the needs of industry and the environment. The vast range of their performances (capacity from 5 mc/h to 250 mc/h) allows every user to find a pump to meet all their needs. Here is a list of the main characteristics:

- Can be used in any pressure range from 400 mm Hg to 759.5 mm Hg.
- On request low depression values.
- Low noise level. Little vibration.
- Efficient air cooling, ease of mounting
- Strength.
- Easy to maintain.
- Can be adapted to solve many problems, because of the vast range of accessories.
- Working temperature from 0°C to +50°C.



Art. GPZL 205/305

Art.	Vacuum flow		Final pressure ABS mbar (ass.)	Rpm		Motor power		Weight kg	A	B	C	D	E	F	G	H	I
	50 Hz Mc/h	60 Hz Mc/h		50 Hz g/min	60 Hz g/min	50 Hz Kw	60 Hz Kw										
GPZL 205	205	245	0.5	1400	1700	5.5	6.6	170	543	444	475	396	950	455	2"		
GPZL 305	305	365	0.5	1400	1700	7.5	9	180	543	444	475	396	970	455	2"		323

* This version of the pump is marked out by the capability to keep as low as possible the oil temperature and therefore to have a better behaviour during the operation